



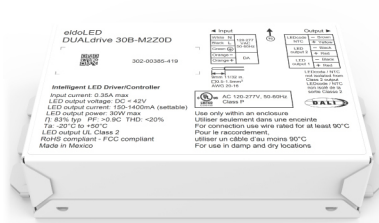
Light  
is our passion

## 30W DALI-2 'Dim to Dark' LED Driver

### DUALdrive

DUALdrive is perfect for dynamic white lighting applications or for luminaires that combine task and ambient lighting. DUALdrive excels in configurability and low dimming - giving you every shade of white! Symbiosis ensures the LED driver works seamlessly together with LED modules, controls and intelligent luminaire elements.

### Product offering



### DUALdrive 30B-M2Z0D

Part number P/N

DL30B-M2Z0D1

Product description

DUALdrive AC, 30W, DALI-2, 2 control channels, constant current, 2x 42V outputs, square metal, bottom feed

## Features & benefits

|                      |  |
|----------------------|--|
| Natural dimming      | Dim to dark, smooth brightness changes, excellent flicker performance, adaptable dimming curves, configurable minimum dimming level  |
| LightShape           | Tunable White: colour temperature and intensity control  |
| Symbiosis            | Seamless interoperability with LED modules, controls and in-luminaire intelligent devices  |
| LEDcode              | LEDcode2 connects to integrated digital accessories, supports location-based IoT applications and enables wired and wireless lighting control through LEDcode peripheral devices |
| Programmable         | Fine-tune your driver for any application  |
| Performance          | Universal input voltage range, low inrush current and total harmonic distortion (THD), high power factor and efficiency  |
| Camera compatibility | Hybrid HydraDrive technology is proven to work in TV studios and security camera environments  |

## Programming tools

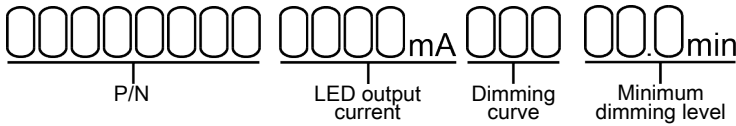
|                                     |   |
|-------------------------------------|---|
| Programming interface               | <a href="#">TOOLbox pro (TLU20504)</a>  |
| Programming cable set               | <a href="#">TOOLbox pro to LED driver, programming cable, 5pcs (TLC03051)</a> |
| Programming Hand-held, Touch-and-Go | <a href="#">PJ0050HL1</a>   |
| Programming jig                     | <a href="#">PJ0300BL1</a>   |
| Programming software                | <a href="#">FluxTool</a>  |

## Warranty

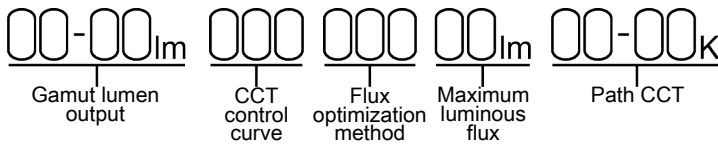
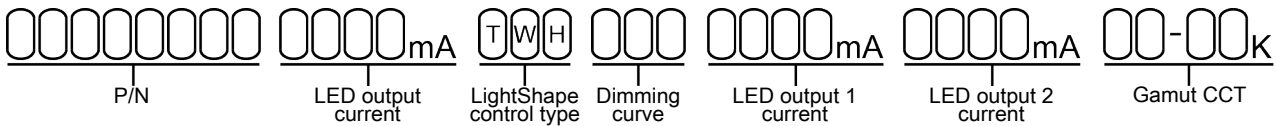
|                 |  |
|-----------------|--|
| Warranty period | <a href="#">General Terms and Conditions</a> |
|-----------------|--|

Order number configurator

Standard



LightShape



|                                |   |
|--------------------------------|---|
| P/N                            | LED driver part number.   |
| LED output current, Standard   | Enter value in 1mA increments, e.g. "811" for 811mA   |
| LED output current, LightShape | Output current identical for all outputs? Enter value in 1mA increments, e.g. "811" for 811mA and leave the fields "LED output 1" and "LED output 2" blank. Output current different per output? Enter "MCUR" in LED output current and specify the differing currents in LED output 1/2. |
| LightShape control type        | "TWH" stands for Tunable White  |
| Dimming curve                  | "LOG" for logarithmic (default)<br>"LIN" for linear   |
| Minimum dimming level          | Leave blank for default minimum dimming level of 0.1%. Specify in 0.1% increments, e.g. "10.5" for 10.5%.   |
| Gamut CCT                      | LightShape-specific option. Enter the LEDs' CCT as "XX-YY" where XX is LED output 1 and YY is LED output 2. Available options per output: 18, 20, 22, 25, 27, 30, 35, 40, 50, 57 and 65. E.g. "18-50" for 1800K on LED output 1 and 5000K on LED output 2.                                |
| Gamut lumen output             | Enter the lumen output range for LED output 1 and 2 as "XX-YY" where XX is LED output 1 and YY is LED output 2. Available range per output: from "01" for 100lm to "99" for 9900lm. E.g. "10-12" for 1000lm on LED output 1 and 1200lm on LED output 2.                                   |
| CCT control curve              | Enter the required CCT control curve: "LOG" for logarithmic, "LIN" for linear   |

|                          |  |
|--------------------------|--|
| Flux optimization method | Leave blank if a consistent luminous flux output over the full CCT range is required (default); enter "MAX" if the luminous flux must be limited to a maximum value for all outputs combined.  |
| Maximum luminous flux    | If Flux optimization method is set to "MAX", specify the required lumen output, e.g. "12" for 1200lm. If left blank it is constant (default).  |
| Path CCT                 | Leave blank if Path CCT requires the same values as Gamut CCT. Or specify the Path CCT values as "XXYY" where XX is LED output 1 and YY is LED output 2. Available options per output: 18, 20, 22, 25, 27, 30, 35, 40, 50, 57, 65. E.g. "18-50" for 1800K on LED output 1 and 5000K on LED output 2. |

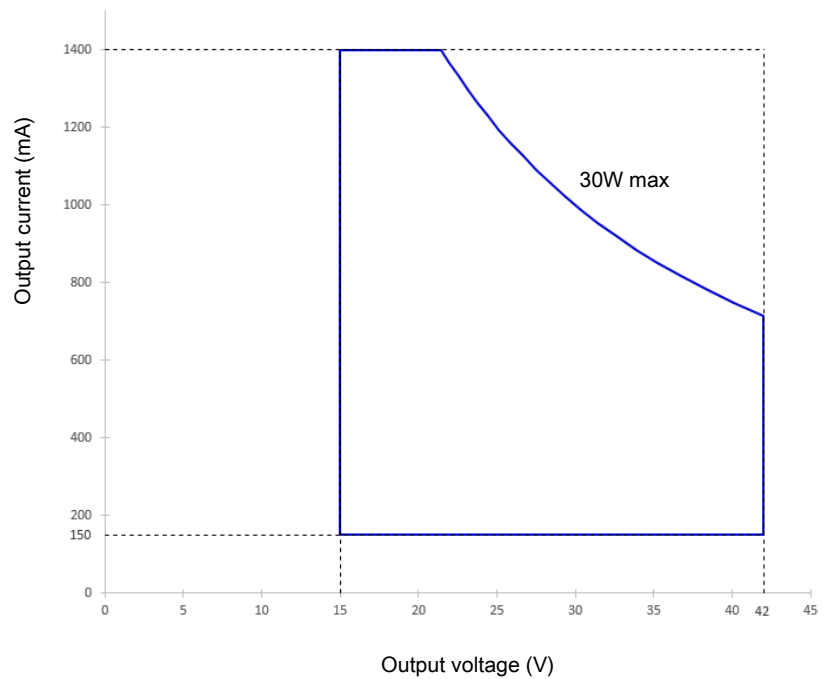
### Input characteristics

|                                 |  |
|---------------------------------|--|
| Nominal input voltage range AC  | 120 - 277V (UL)  |
| Absolute input voltage range AC | 108 - 305V   |
| Maximum input current           | 0.35A @ 120V / 60Hz<br>0.15A @ 277V / 60Hz                                   |
| Input frequency range           | 50 - 60Hz  |
| Efficiency at full load         | 83%  |
| Power factor at full load       | > 0.95   |
| THD at full load                | < 20%  |
| Maximum inrush current          | < 200mA <sup>2</sup> s @ 120V / 60Hz<br>< 200mA <sup>2</sup> s @ 277V / 60Hz |
| Surge protection                | 2kV differential mode (DM)<br>2kV common mode (CM)                           |
| Maximum standby power           | 0.5W   |

**Output characteristics**

|                                       |   |
|---------------------------------------|---|
| Maximum LED output power              | 30W   |
| Number of LED outputs                 | 2   |
| Programmable LED output current range | 150 - 1400mA  |
| LED output type                       | Programmable in 1mA increments within specified current range |
| LED output current tolerance          | +/- 5% at programmed LED output current                       |
| LED output voltage range              | 15 - 42V  |

Operating window



---

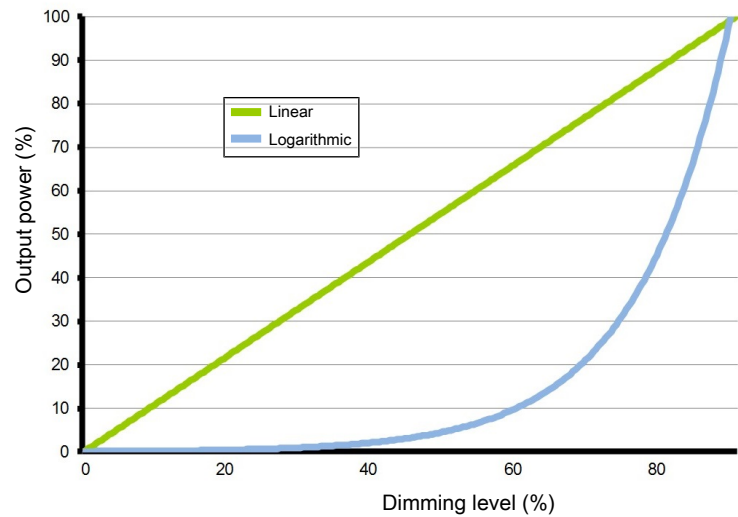
### Control characteristics

---

|                       |                                  |
|-----------------------|----------------------------------|
| Control channels      | 2                                |
| Control protocol      | DALI-2 Device Type 6<br>LEDcode2 |
| Dimming range         | 100% - 0.1%                      |
| Dimming curve options | Logarithmic (default)<br>Linear  |
| LightShape            | Tunable White, 2x pc-white       |
| Dimming method        | Hybrid HydraDrive                |
| Time delay to standby | < 30s                            |

---

### Dimming curves

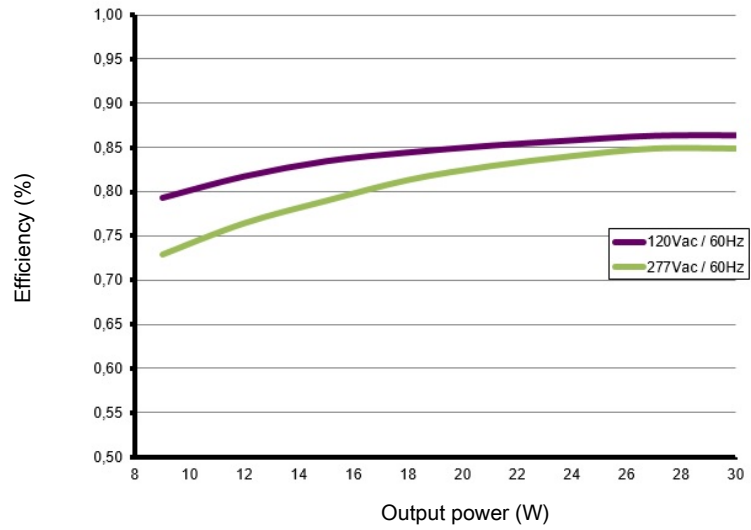


## Performance

### Typical efficiency vs load

Tested with a load on each LED output of 14 LEDs in series, programmed for 350mA and at 25 °C ambient temperature. The measurements below 30W were performed by dimming the light output.

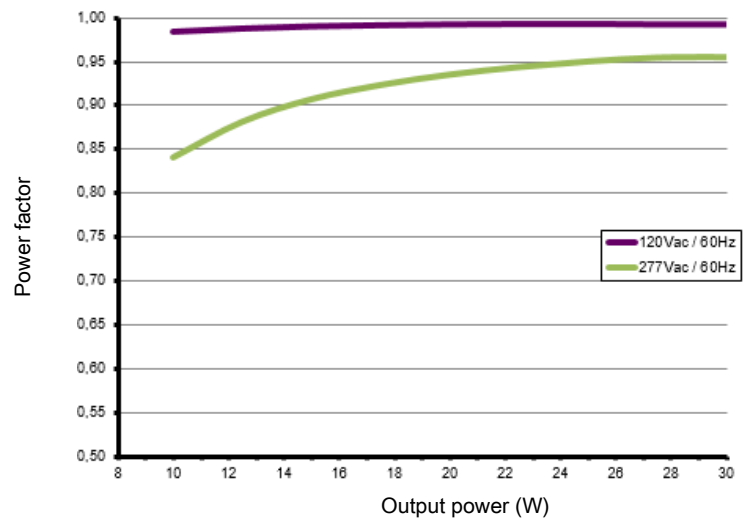
When LightShape is enabled: changing the CCT value has limited impact on the test data.



### Typical power factor vs load

Tested with a load on each LED output of 14 LEDs in series, programmed for 350mA and at 25 °C ambient temperature. The measurements below 30W were performed by dimming the light output.

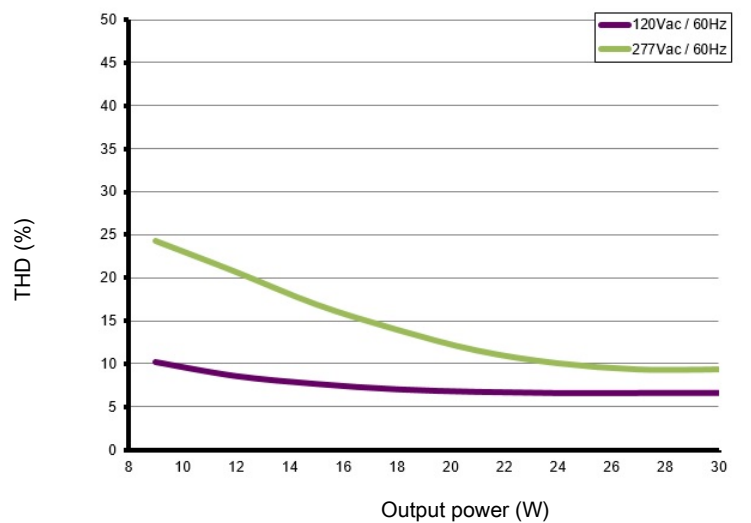
When LightShape is enabled: changing the CCT value has limited impact on the test data.



### Typical THD vs load

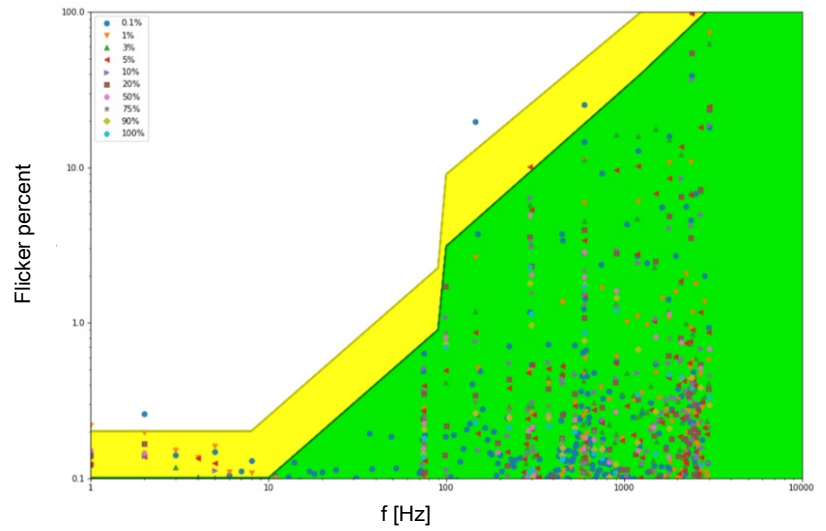
Tested with a load on each LED output of 14 LEDs in series, programmed for 350mA and at 25 °C ambient temperature. The measurements below 30W were performed by dimming the light output.

When LightShape is enabled: changing the CCT value has limited impact on the test data.



Typical flicker performance

Typical flicker percent as a function of frequency, measured across the dimming range. The results are overlaid with the low-risk (yellow) and no observable effect (green) levels as defined in IEEE P1789.



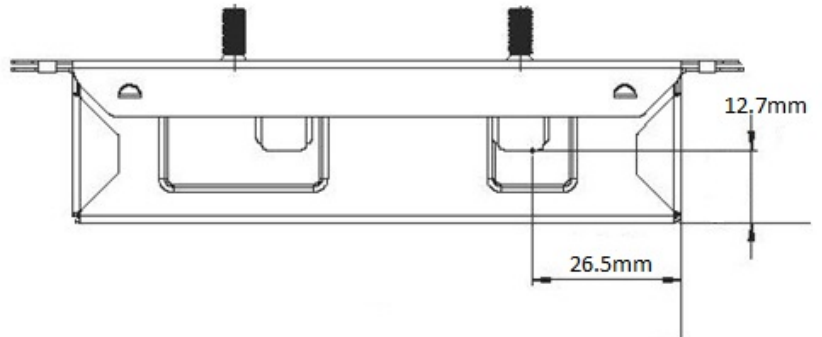
**Environmental conditions**

Operating ambient temperature ( $T_a$ ) range      -20 °C to +50 °C

Maximum operating case temperature ( $T_c$  max)      75 °C

Lifetime      50000 hours at a maximum case temperature ( $T_c$ ) of 75 °C

TC point location





---

## LED driver protection

---

|                          |   |
|--------------------------|---|
| Thermal                  | The LED output current is decreased whenever the internal LED driver temperature exceeds factory preset temperature. The LED output current is increased again once the internal LED driver temperature drops below this internal temperature threshold. If the internal LED driver temperature continues to increase, despite a decrease in output current, the LED driver will shut down. |
| LED output short circuit | The LED output current is cut off whenever the LED driver detects a short-circuit. The LED driver will attempt a restart every 400ms after a short-circuit is detected.   |
| LED output overload      | The LED driver decreases the LED output current sequentially, until it reaches its maximum rated power, whenever a load that exceeds the LED driver's maximum rated power is connected to the LED output.   |
| Reverse polarity         | The LED driver will not yield any current if the polarity of the load on the LED output is reversed. This situation will not damage the LED driver but may damage the LED load.   |

---

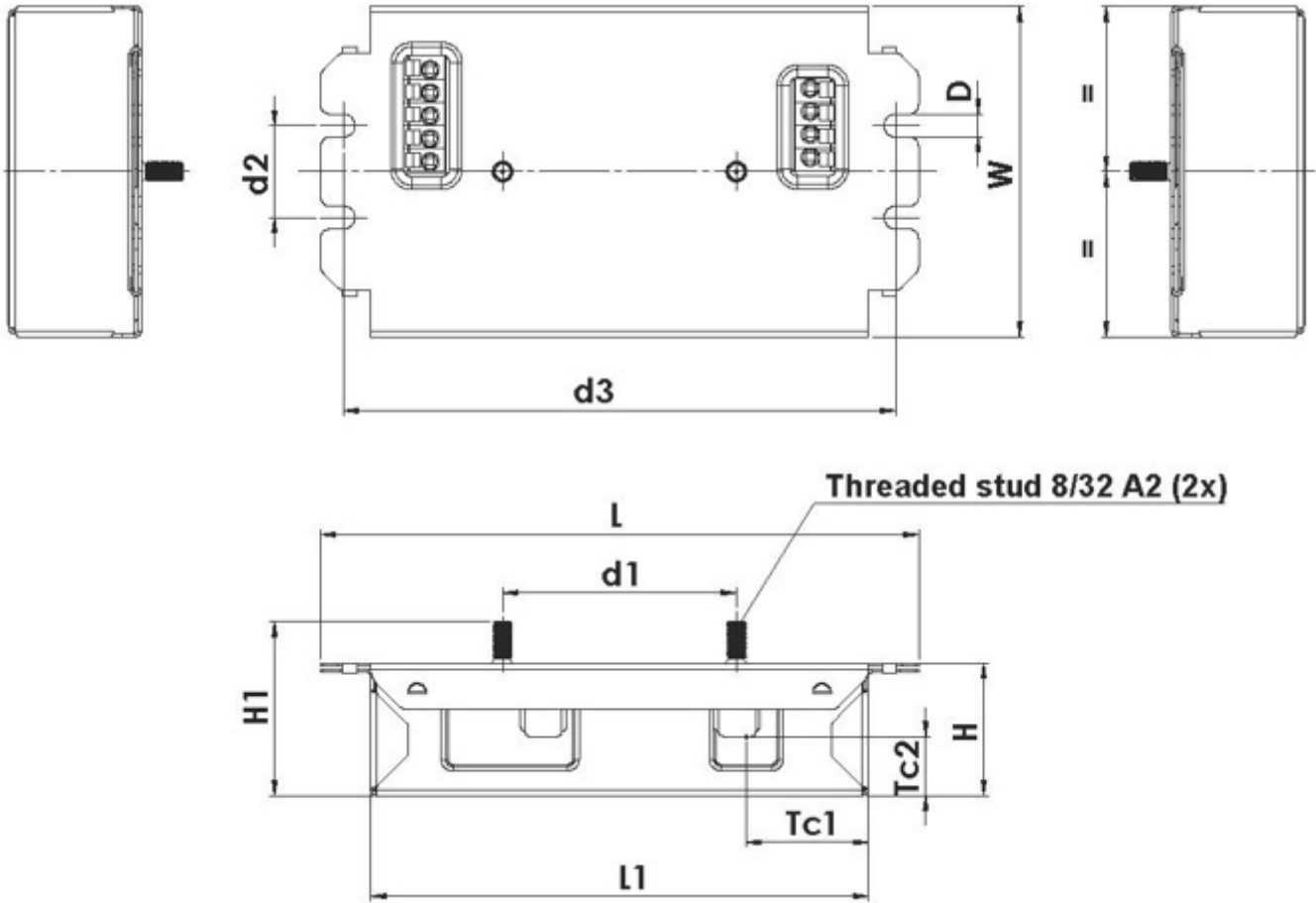
## LED protection

---

|                        |   |
|------------------------|---|
| Thermal protection LED | An external NTC thermistor, which is placed on a PCB near the LEDs, can be connected to the driver via the LEDcode/NTC terminals. The output current to the LEDs is then decreased by 75% whenever the NTC exceeds a maximum allowable temperature, which is specified by the user in the FluxTool software. The default NTC temperature limit is set to 70 °C. |
| Thermistor value       | 47kΩ  |
| Suitable thermistors   | leaded: Vishay, P/N 238164063473<br>screw: Vishay, P/N NTCASCWE3473J  |

---

LED driver mechanical details



|   |  |
|---|--|
| Length (L)                                | typical: 130.0 mm / 5.12 in<br>maximum: 132.0 mm / 5.20 in |
| Width (W)                                 | typical: 72.4 mm / 2.85 in<br>maximum: 73.7 mm / 2.90 in   |
| Height (H)                                | typical: 29.0 mm / 1.14 in<br>maximum: 29.7 mm / 1.17 in   |
| Height including stud mounts (H1)         | typical: 37.8 mm / 1.49 in<br>maximum: 38.3 mm / 1.51 in   |
| Mounting hole diameter (D)                | typical: 5.0 mm / 0.20 in<br>maximum: 5.3 mm / 0.21 in     |
| Center to center stud mount distance (d1) | typical: 50.8 mm / 2 in<br>maximum: 51.0 mm / 2.01 in      |

|  |  |
|--|--|
| Center to center mounting hole distance (d2) | typical: 20.0 mm / 0.79 in<br>maximum: 20.2 mm / 0.80 in   |
| Center to center mounting hole distance (d3) | typical: 120.0 mm / 4.72 in<br>maximum: 122.0 mm / 4.80 in |
| Length excluding flanges (L1)                | typical: 108.8 mm / 4.26 in<br>maximum: 110.8 mm / 4.36 in |
| 3D files available on product web page       | IGS<br>STEP  |
| Weight                                       | 282 g  |
| Mounting torque                              | Not to exceed 0.5Nm  |

**Packaging**

|                             |                          |
|-----------------------------|--------------------------|
| Length x Width x Height     | 130x108x38 mm / 5x4x1 in |
| Weight (including products) | 12 kg                    |
| Products per box            | 40 pcs                   |

**Connector layout**



**Input wiring specifications**

|                               |                                       |
|-------------------------------|---------------------------------------|
| Connector type                | push-in terminals                     |
| Connector supplier and series | DECA MWX420-500A series               |
| Wire type                     | solid copper                          |
| Wire core cross section       | 0.5 - 1.5 mm <sup>2</sup> AWG 20 – 16 |
| Wire strip length             | 9.0 mm                                |

**Output wiring specifications**

|  |  |
|--|--|
| Connector type                               | push-in terminals  |
| Connector supplier and series                | DECA MWX420-500A series  |
| Wire type                                    | solid copper   |
| Wire core cross section                      | 0.5 - 1.5 mm <sup>2</sup> AWG 20 – 16  |
| Wire strip length                            | 9.0 mm   |
| Maximum remote mounting distance of LED load | AWG 20 (0.52 mm <sup>2</sup> ) - 14 m / 46 ft<br>AWG 19 (0.65 mm <sup>2</sup> ) - 18 m / 59 ft<br>AWG 18 (0.82 mm <sup>2</sup> ) - 22 m / 72 ft<br>AWG 17 (1.04 mm <sup>2</sup> ) - 28 m / 92 ft<br>AWG 16 (1.31 mm <sup>2</sup> ) - 36 m / 118 ft |

**Automatic circuit breakers (MCB)**

|                 |                       |     |     |     |     |     |     |
|-----------------|-----------------------|-----|-----|-----|-----|-----|-----|
| Maximum loading | MCB type              | B10 | B13 | B16 | C10 | C13 | C16 |
|                 | Number of LED drivers | 33  | 43  | 53  | 33  | 43  | 53  |

---

## Standards and compliance

---

|                                     |   |
|-------------------------------------|---|
| UL Listed, Class P                  | UL 1310<br>UL 8750<br>(Class 2 output)  |
| Conducted emissions                 | FCC title 47 CFR part 15 class A (@ 277Vac)<br>FCC title 47 CFR part 15 class B (@ 120Vac)    |
| Radiated emissions                  | FCC title 47 CFR part 15 class A (@ 277Vac)<br>FCC title 47 CFR part 15 class B (@ 120Vac)    |
| Electrostatic discharge             | EN 61000-4-2  |
| DALI-2                              | IEC 62386-101 Edition 2.0, IEC 62386-102 Edition 2.0, IEC 62386-207 Edition 1                 |
| Surge protection                    | ANSI 62.41 1991 category B1: 2.5kV DM, 2.5kV CM @ 30 Ohm DALI input: 0.5 kV DM, 1 kV CM surge |
| Restriction of hazardous substances | RoHS3 (Directives 2011/65/EU-2015/863/EU)   |
| SVHC-list substances                | REACH Art.33  |

---

## Certifications

---



---

## Safety

---



Risk of electrical shock. May result in serious injury or death. Disconnect power before servicing or installing.



The LED driver may only be connected and installed by a qualified electrician. All applicable regulations, legislation, and building codes must be observed. Incorrect installation of the LED driver can cause irreparable damage to the LED driver and the connected LEDs.

Pay attention when connecting the LEDs: polarity reversal results in no light output and often damages the LEDs.



LED drivers are designed and intended to operate LED loads only. Powering non-LED loads may push the LED driver outside its specified design limits and is, therefore, not covered by any warranty.



eldoLED products are designed to meet the performance specifications as outlined at certain operating conditions in the data sheet. It is the responsibility of the fixture manufacturer to test and validate the design and operation of the system under expected and potential use cases, including faults.



Please observe voltage drop over long cable lengths. Longer cable lengths increase EMI susceptibility.



Product renderings and dimensional drawings are generic for the housing type. Product label, connector type and quantity may vary.

---

---

### Europe, Rest of World

eldoLED B.V.  
Science Park Eindhoven 5125  
5692 ED Son  
The Netherlands

E: [info@eldoled.com](mailto:info@eldoled.com)  
W: [www.eldoled.com](http://www.eldoled.com)

---

### North America

eldoLED America  
One Lithonia Way  
Conyers, GA 30012  
USA

E: [info@eldoled.com](mailto:info@eldoled.com)  
W: [www.eldoled.com](http://www.eldoled.com)

---