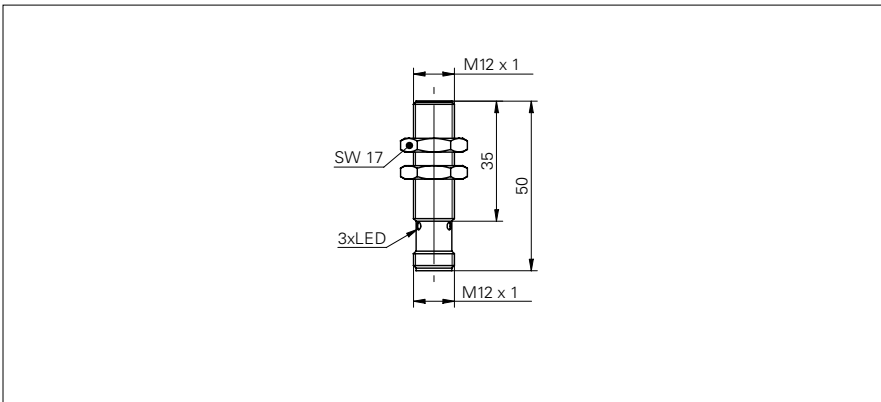


Inductive proximity switch

IR12.P04F (medium, factor 1)

sample drawing



general data

mounting type	flush
special type	factor 1
nominal sensing distance S_n	4 mm
hysteresis	3 ... 20 % of S_r

electrical data

switching frequency	< 2 kHz
voltage supply range +Vs	5 ... 36 VDC
current consumption max. (no load)	12 mA
voltage drop Vd	< 2 VDC
output current	< 200 mA
short circuit protection	yes
reverse polarity protection	yes

mechanical data

type	cylindrical threaded
material (sensing face)	PBT
housing material	brass nickel plated
dimension	12 mm
tightening torque max.	15 Nm

cable, 2 m

housing length	40 mm
----------------	-------

connector M12

housing length	50 mm
----------------	-------

ambient conditions

operating temperature	-25 ... +75 °C
storage temperature	-40 ... +85 °C
protection class	IP 67

sample picture



Inductive proximity switch**IR12.P04F (medium, factor 1)**

order reference	connection types	output circuit	output indicator
IR12.P04F-11119439	cable, 2 m	NPN break function (NC)	LED red
IR12.P04F-11119438	cable, 2 m	NPN make function (NO)	LED red
IR12.P04F-11119496	cable, 2 m	PNP break function (NC)	LED red
IR12.P04F-11119436	cable, 2 m	PNP make function (NO)	LED red
IR12.P04F-11119435	connector M12	NPN break function (NC)	3 port LED red
IR12.P04F-11116610	connector M12	NPN make function (NO)	3 port LED red
IR12.P04F-11119433	connector M12	PNP break function (NC)	3 port LED red
IR12.P04F-11111236	connector M12	PNP make function (NO)	3 port LED red