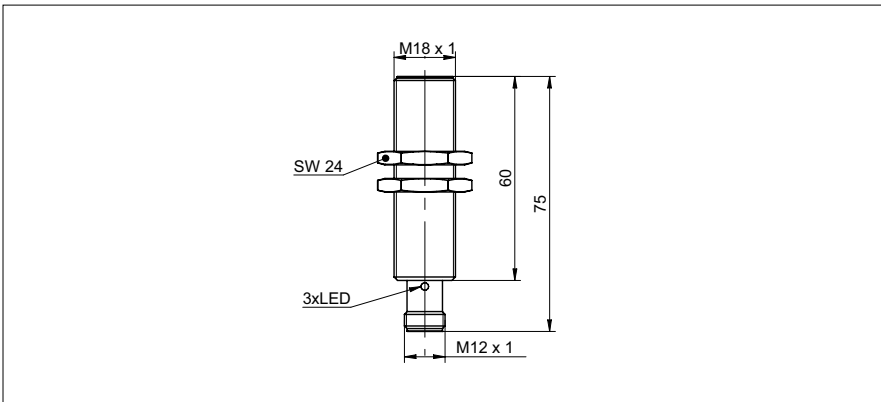


Inductive proximity switch

IFRM 18 (long)

sample drawing



general data

| | |
|--------------------------------|---------------------|
| mounting type | quasi-flush |
| nominal sensing distance S_n | 8 mm |
| hysteresis | 3 ... 20 % of S_r |

electrical data

| | |
|------------------------------------|---------------|
| switching frequency | < 500 Hz |
| voltage supply range +Vs | 10 ... 30 VDC |
| current consumption max. (no load) | 10 mA |
| voltage drop Vd | < 2 VDC |
| output current | < 200 mA |
| short circuit protection | yes |
| reverse polarity protection | yes |

mechanical data

| | |
|-------------------------|----------------------|
| type | cylindrical threaded |
| material (sensing face) | PBT |
| housing material | brass nickel plated |
| dimension | 18 mm |
| tightening torque max. | 40 Nm |

cable, 2 m

| | |
|----------------|-------|
| housing length | 65 mm |
|----------------|-------|

connector M12

| | |
|----------------|-------|
| housing length | 75 mm |
|----------------|-------|

ambient conditions

| | |
|-----------------------|----------------|
| operating temperature | -25 ... +75 °C |
| protection class | IP 67 |

sample picture



Inductive proximity switch**IFRM 18 (long)**

| order reference | connection types | output circuit | output indicator |
|--------------------------|-------------------------|-------------------------|-------------------------|
| IFRM 18N17A4/L | cable, 2 m | NPN make function (NO) | LED red |
| IFRM 18N17A4/S14L | connector M12 | NPN make function (NO) | 3 port LED red |
| IFRM 18N37A4/L | cable, 2 m | NPN break function (NC) | LED red |
| IFRM 18N37A4/S14L | connector M12 | NPN break function (NC) | 3 port LED red |
| IFRM 18P17A4/L | cable, 2 m | PNP make function (NO) | LED red |
| IFRM 18P17A4/S14L | connector M12 | PNP make function (NO) | 3 port LED red |
| IFRM 18P37A4/L | cable, 2 m | PNP break function (NC) | LED red |
| IFRM 18P37A4/S14L | connector M12 | PNP break function (NC) | 3 port LED red |