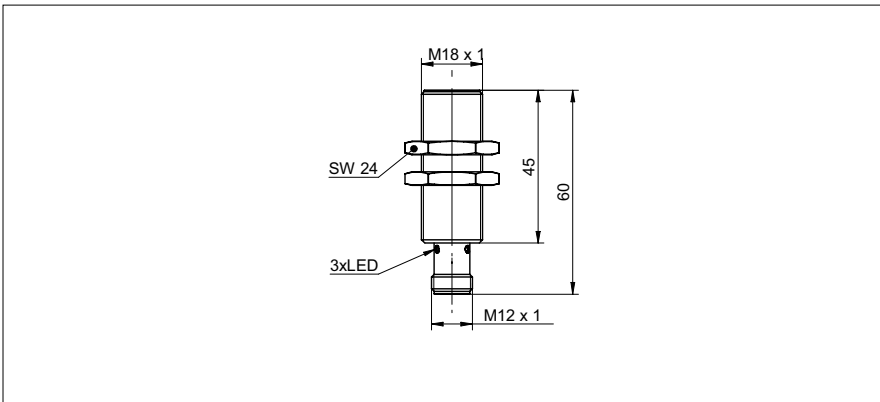


## Inductive proximity switch

## IFRM 18 (medium)

### sample drawing



### general data

mounting type	quasi-flush
nominal sensing distance $S_n$	8 mm
hysteresis	3 ... 20 % of $S_r$

### electrical data

switching frequency	< 500 Hz
voltage supply range +Vs	10 ... 30 VDC
current consumption max. (no load)	10 mA
voltage drop $V_d$	< 2 VDC
output current	< 200 mA
short circuit protection	yes
reverse polarity protection	yes

### mechanical data

type	cylindrical threaded
material (sensing face)	PBT
housing material	brass nickel plated
dimension	18 mm
tightening torque max.	40 Nm

### cable, 2 m

housing length	50 mm
----------------	-------

### connector M12

housing length	60 mm
----------------	-------

### ambient conditions

operating temperature	-25 ... +75 °C
protection class	IP 67

### sample picture



**Inductive proximity switch****IFRM 18 (medium)**

<b>order reference</b>	<b>connection types</b>	<b>output circuit</b>	<b>output indicator</b>
<b>IFRM 18N17A3/L</b>	cable, 2 m	NPN make function (NO)	LED red
<b>IFRM 18N17A3/S14L</b>	connector M12	NPN make function (NO)	3 port LED red
<b>IFRM 18N37A3/L</b>	cable, 2 m	NPN break function (NC)	LED red
<b>IFRM 18N37A3/S14L</b>	connector M12	NPN break function (NC)	3 port LED red
<b>IFRM 18P17A3/L</b>	cable, 2 m	PNP make function (NO)	LED red
<b>IFRM 18P17A3/S14L</b>	connector M12	PNP make function (NO)	3 port LED red
<b>IFRM 18P37A3/L</b>	cable, 2 m	PNP break function (NC)	LED red
<b>IFRM 18P37A3/S14L</b>	connector M12	PNP break function (NC)	3 port LED red