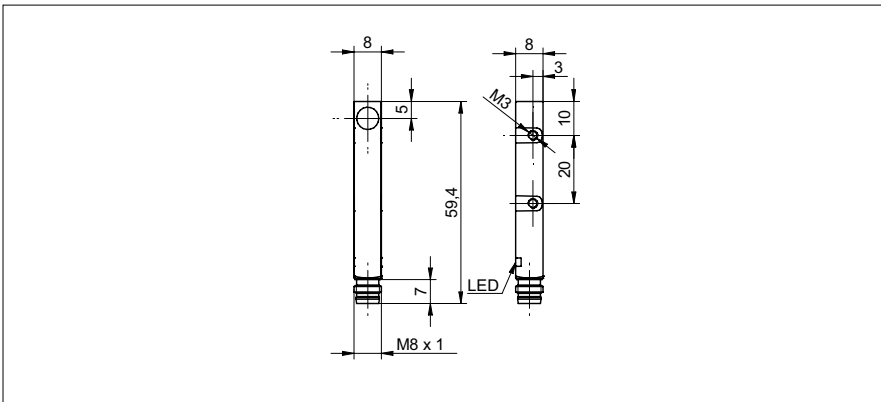


# Inductive proximity switch

# IFFM 08 (extra long)

**sample drawing**



**general data**

mounting type	flush
nominal sensing distance $S_n$	2 mm
hysteresis	3 ... 20 % of $S_r$
output indicator	LED red

**electrical data**

switching frequency	< 5 kHz
voltage supply range +Vs	10 ... 30 VDC
current consumption max. (no load)	12 mA
voltage drop Vd	< 2 VDC
output current	< 200 mA
short circuit protection	yes
reverse polarity protection	yes

**mechanical data**

type	rectangular
material (sensing face)	PBT
housing material	die-cast zinc nickel plated
dimension	8 mm
housing length	59,4 mm
connection types	connector M8

**ambient conditions**

operating temperature	-25 ... +75 °C
protection class	IP 67

**order reference**

<b>IFFM 08N1701/O1S35L</b>	NPN make function (NO)
<b>IFFM 08N3701/O1S35L</b>	NPN break function (NC)
<b>IFFM 08P1701/O1S35L</b>	PNP make function (NO)
<b>IFFM 08P3701/O1S35L</b>	PNP break function (NC)

**output circuit**

**sample picture**

