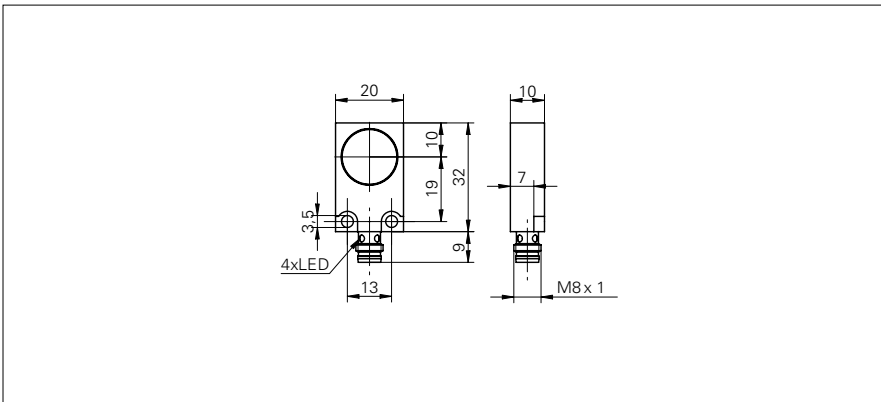


Inductive proximity switch

IFFM 20 (Sn = 5 mm)

sample drawing



general data

mounting type	flush
nominal sensing distance Sn	5 mm
hysteresis	3 ... 20 % of Sr
output indicator	4 port LED red

electrical data

switching frequency	< 1 kHz
voltage supply range +Vs	10 ... 50 VDC
current consumption max. (no load)	10 mA
voltage drop Vd	< 3 VDC
output current	< 200 mA
short circuit protection	yes
reverse polarity protection	yes

mechanical data

type	rectangular
material (sensing face)	PBT
housing material	brass nickel plated
dimension	20 mm
housing length	32 mm
connection types	connector M8

ambient conditions

operating temperature	-25 ... +75 °C
protection class	IP 67

order reference

IFFM 20N1501/S35L	NPN make function (NO)
IFFM 20N3501/S35L	NPN break function (NC)
IFFM 20P1501/S35L	PNP make function (NO)
IFFM 20P3501/S35L	PNP break function (NC)

output circuit

sample picture

