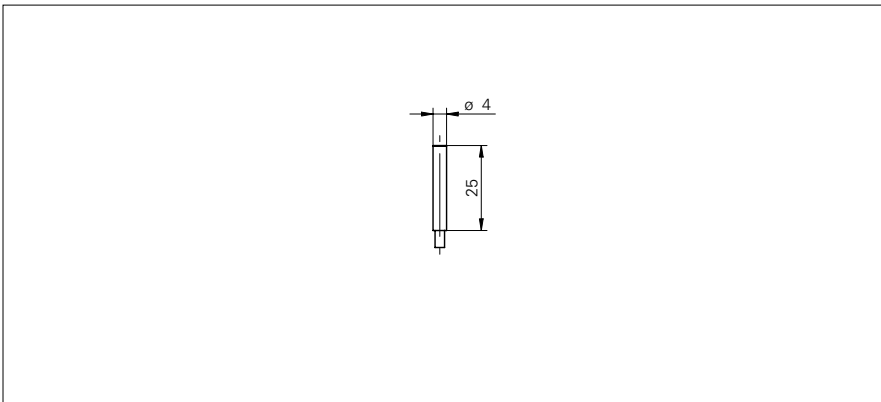


## Inductive sensors NAMUR

## IFR 04 / IFR 05

### sample drawing



### general data

mounting type	flush
nominal sensing distance $S_n$	0,8 mm

### electrical data

switching frequency	< 5 kHz
normal operating voltage	8,2 VDC
voltage supply range +Vs	6 ... 30 VDC
current consumption undamped	> 4 mA
current consumption damped	< 1 mA
current consumption max. (no load)	10 mA
output circuit	NAMUR
residual ripple	< 10 % Vs

### mechanical data

housing material	stainless steel
housing length	25 mm
connection types	cable, 2 m

### ambient conditions

operating temperature	-25 ... +75 °C
protection class	IP 67

order reference	type	dimension
IFR 04.82.05	cylindrical smooth	4 mm
IFR 05.82.05	cylindrical threaded	5 mm

### sample picture

