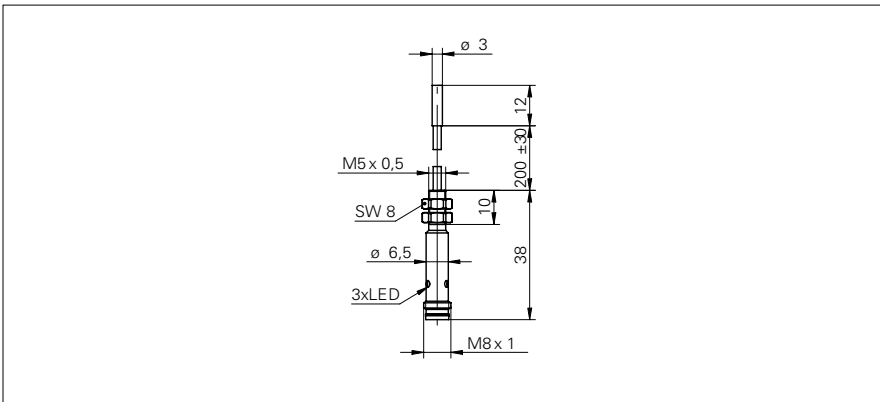


**Inductive proximity switch**

**IFRM 03 (in-line cable amplifier)**

**sample drawing**



**general data**

mounting type	flush
nominal sensing distance $S_n$	0,8 mm
hysteresis	2 ... 20 % of $S_r$
output indicator	3 port LED red

**electrical data**

switching frequency	< 3 kHz
voltage supply range +Vs	10 ... 30 VDC
current consumption max. (no load)	12 mA
voltage drop Vd	< 2 VDC
output current	< 100 mA
short circuit protection	yes
reverse polarity protection	yes

**mechanical data**

type	cylindrical smooth
material (sensing face)	POM
housing material	stainless steel
dimension	3 mm
housing length	12 mm
connection types	connector M8

**ambient conditions**

operating temperature	-25 ... +75 °C
protection class	IP 67

**order reference**

<b>IFRM 03N1505/CS35L</b>	NPN make function (NO)
<b>IFRM 03N3505/CS35L</b>	NPN break function (NC)
<b>IFRM 03P1505/CS35L</b>	PNP make function (NO)
<b>IFRM 03P3505/CS35L</b>	PNP break function (NC)

**output circuit**

**sample picture**

