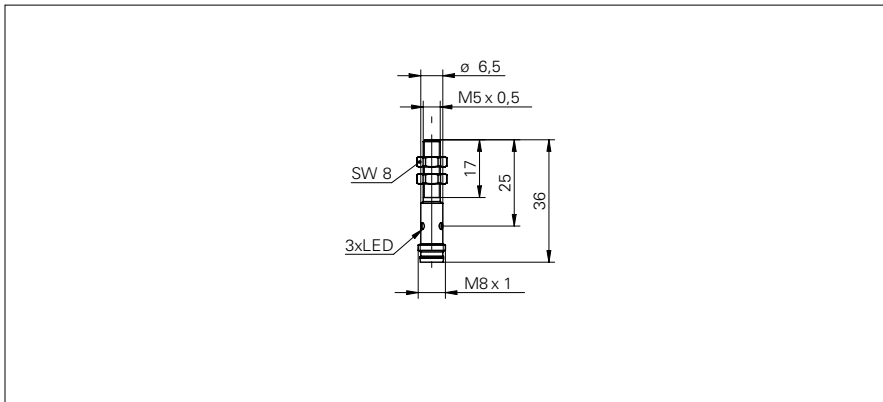


Inductive proximity switch

IFRM 05 (connector M8)

sample drawing



general data

mounting type	flush
nominal sensing distance S_n	1 mm
hysteresis	2 ... 20 % of S_r
output indicator	3 port LED red

electrical data

switching frequency	< 5 kHz
voltage supply range +Vs	10 ... 30 VDC
current consumption max. (no load)	12 mA
voltage drop Vd	< 2 VDC
output current	< 100 mA
short circuit protection	yes
reverse polarity protection	yes

mechanical data

type	cylindrical threaded
material (sensing face)	LCP
housing material	stainless steel
dimension	5 mm
connection types	connector M8

ambient conditions

operating temperature	-25 ... +75 °C
protection class	IP 67

order reference	output circuit	housing length
IFRM 05N15A3/S35L	NPN make function (NO)	36 mm
IFRM 05N35A3/S35L	NPN break function (NC)	36 mm
IFRM 05P15A1/S35L	PNP make function (NO)	45 mm
IFRM 05P15A3/S35L	PNP make function (NO)	36 mm
IFRM 05P35A1/S35L	PNP break function (NC)	45 mm
IFRM 05P35A3/S35L	PNP break function (NC)	36 mm

sample picture

