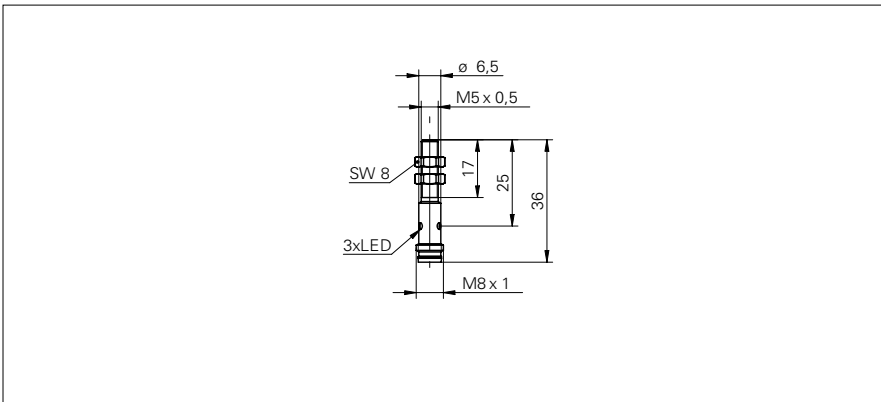


**Inductive proximity switch**

**IFRM 05 (Sn = 1,6 mm, connector M8)**

**sample drawing**



**general data**

mounting type	flush
nominal sensing distance Sn	1,6 mm
hysteresis	2 ... 20 % of Sr
output indicator	3 port LED red

**electrical data**

switching frequency	< 3 kHz
voltage supply range +Vs	10 ... 30 VDC
current consumption max. (no load)	12 mA
voltage drop Vd	< 2 VDC
output current	< 100 mA
short circuit protection	yes
reverse polarity protection	yes

**mechanical data**

type	cylindrical threaded
material (sensing face)	LCP
housing material	stainless steel
dimension	5 mm
connection types	connector M8

**ambient conditions**

operating temperature	-25 ... +75 °C
protection class	IP 67

order reference	output circuit	housing length
<b>IFRM 05N17A1/S35L</b>	NPN make function (NO)	45 mm
<b>IFRM 05N17A3/S35L</b>	NPN make function (NO)	36 mm
<b>IFRM 05N37A1/S35L</b>	NPN break function (NC)	45 mm
<b>IFRM 05N37A3/S35L</b>	NPN break function (NC)	36 mm
<b>IFRM 05P17A1/S35L</b>	PNP make function (NO)	45 mm
<b>IFRM 05P17A3/S35L</b>	PNP make function (NO)	36 mm
<b>IFRM 05P37A1/S35L</b>	PNP break function (NC)	45 mm
<b>IFRM 05P37A3/S35L</b>	PNP break function (NC)	36 mm

**sample picture**

