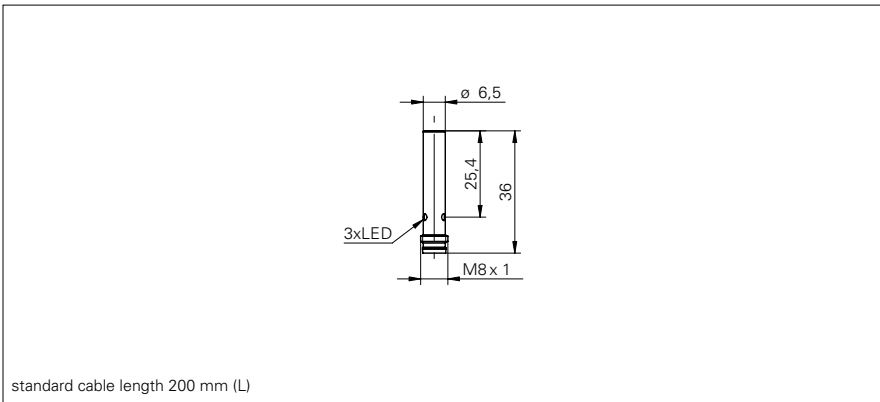


# Inductive proximity switch

# IFRM 06 (short)

**sample drawing**



**general data**

mounting type	flush
nominal sensing distance $S_n$	2 mm
hysteresis	3 ... 20 % of $S_r$

**electrical data**

switching frequency	< 5 kHz
voltage supply range +Vs	10 ... 30 VDC
current consumption max. (no load)	12 mA
voltage drop Vd	< 2 VDC
output current	< 200 mA
short circuit protection	yes
reverse polarity protection	yes

**mechanical data**

type	cylindrical smooth
material (sensing face)	PBT
housing material	stainless steel
dimension	6,5 mm

**cable, 2 m**

housing length	30 mm
----------------	-------

**flylead connector M8**

housing length	30 mm
----------------	-------

**connector M8**

housing length	36 mm
----------------	-------

**ambient conditions**

operating temperature	-25 ... +75 °C
protection class	IP 67

**sample picture**



**Inductive proximity switch**
**IFRM 06 (short)**

<b>order reference</b>	<b>connection types</b>	<b>output circuit</b>	<b>output indicator</b>
<b>IFRM 06N1701/KS35L</b>	flylead connector M8	NPN make function (NO)	LED red
<b>IFRM 06N1701/L</b>	cable, 2 m	NPN make function (NO)	LED red
<b>IFRM 06N17A3/S35L</b>	connector M8	NPN make function (NO)	3 port LED red
<b>IFRM 06N3701/KS35L</b>	flylead connector M8	NPN break function (NC)	LED red
<b>IFRM 06N3701/L</b>	cable, 2 m	NPN break function (NC)	LED red
<b>IFRM 06N37A3/S35L</b>	connector M8	NPN break function (NC)	3 port LED red
<b>IFRM 06P1701/KS35L</b>	flylead connector M8	PNP make function (NO)	LED red
<b>IFRM 06P1701/L</b>	cable, 2 m	PNP make function (NO)	LED red
<b>IFRM 06P17A3/S35L</b>	connector M8	PNP make function (NO)	3 port LED red
<b>IFRM 06P3701/KS35L</b>	flylead connector M8	PNP break function (NC)	LED red
<b>IFRM 06P3701/L</b>	cable, 2 m	PNP break function (NC)	LED red
<b>IFRM 06P37A3/S35L</b>	connector M8	PNP break function (NC)	3 port LED red