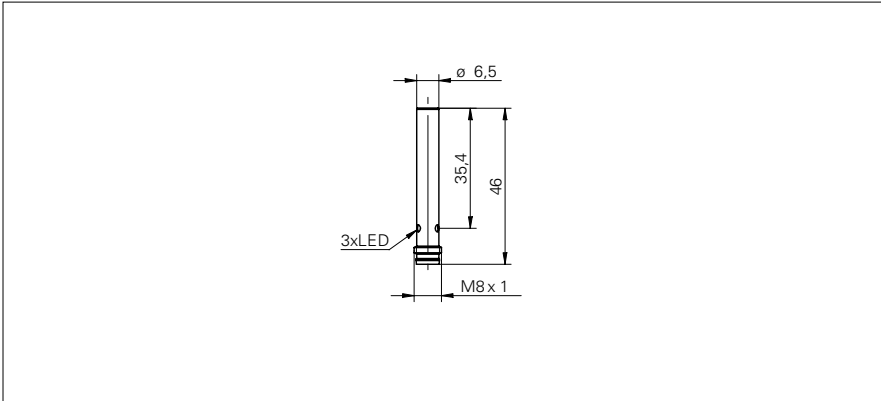


Inductive proximity switch

IFRM 06 (Sn = 3 mm)

sample drawing



general data

mounting type	quasi-flush
special type	enhanced distance (GammaProx)
nominal sensing distance Sn	3 mm
hysteresis	2 ... 25 % of Sr

electrical data

switching frequency	< 1 kHz
voltage supply range +Vs	12 ... 30 VDC
current consumption max. (no load)	18 mA
voltage drop Vd	< 2 VDC
output current	< 200 mA
short circuit protection	yes
reverse polarity protection	yes

mechanical data

type	cylindrical smooth
material (sensing face)	PBT
housing material	stainless steel
dimension	6,5 mm

cable, 2 m

housing length	40 mm
----------------	-------

connector M8

housing length	46 mm
----------------	-------

ambient conditions

operating temperature	-25 ... +75 °C
protection class	IP 67

order reference	connection types	output circuit	output indicator
IFRM 06N17G1/L	cable, 2 m	NPN make function (NO)	LED red
IFRM 06N17G1/S35L	connector M8	NPN make function (NO)	3 port LED red
IFRM 06N37G1/L	cable, 2 m	NPN break function (NC)	LED red
IFRM 06N37G1/S35L	connector M8	NPN break function (NC)	3 port LED red
IFRM 06P17G1/L	cable, 2 m	PNP make function (NO)	LED red
IFRM 06P17G1/S35L	connector M8	PNP make function (NO)	3 port LED red
IFRM 06P37G1/L	cable, 2 m	PNP break function (NC)	LED red
IFRM 06P37G1/S35L	connector M8	PNP break function (NC)	3 port LED red

sample picture

