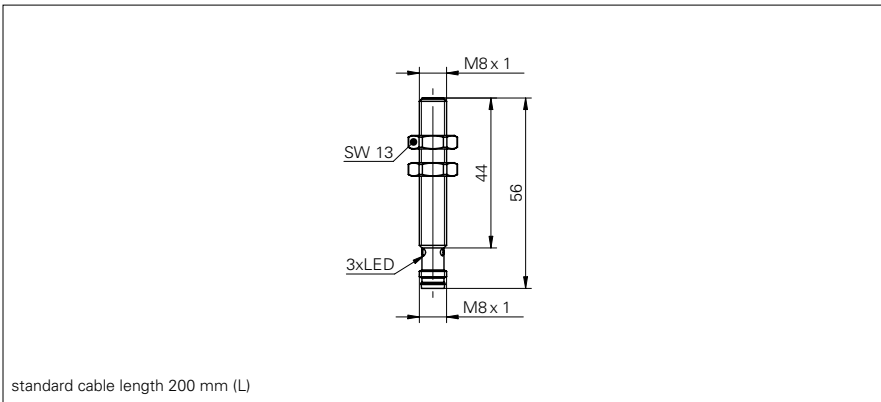


Inductive proximity switch

IFRM 08 (long)

sample drawing



general data

mounting type	flush
nominal sensing distance S_n	2 mm
hysteresis	3 ... 20 % of S_r

electrical data

switching frequency	< 5 kHz
voltage supply range +Vs	10 ... 30 VDC
current consumption max. (no load)	12 mA
voltage drop Vd	< 2 VDC
output current	< 200 mA
short circuit protection	yes
reverse polarity protection	yes

mechanical data

type	cylindrical threaded
material (sensing face)	PBT
housing material	stainless steel
dimension	8 mm

cable, 2 m

housing length	50 mm
----------------	-------

flylead connector M8

housing length	50 mm
----------------	-------

connector M8

housing length	56 mm
----------------	-------

ambient conditions

operating temperature	-25 ... +75 °C
protection class	IP 67

sample picture



Inductive proximity switch
IFRM 08 (long)

order reference	connection types	output circuit	output indicator
IFRM 08N17A4/KS35L	flylead connector M8	NPN make function (NO)	LED red
IFRM 08N17A4/L	cable, 2 m	NPN make function (NO)	LED red
IFRM 08N17A4/S35L	connector M8	NPN make function (NO)	3 port LED red
IFRM 08N37A4/KS35L	flylead connector M8	NPN break function (NC)	LED red
IFRM 08N37A4/L	cable, 2 m	NPN break function (NC)	LED red
IFRM 08N37A4/S35L	connector M8	NPN break function (NC)	3 port LED red
IFRM 08P17A4/KS35L	flylead connector M8	PNP make function (NO)	LED red
IFRM 08P17A4/L	cable, 2 m	PNP make function (NO)	LED red
IFRM 08P17A4/S35L	connector M8	PNP make function (NO)	3 port LED red
IFRM 08P37A4/KS35L	flylead connector M8	PNP break function (NC)	LED red
IFRM 08P37A4/L	cable, 2 m	PNP break function (NC)	LED red
IFRM 08P37A4/S35L	connector M8	PNP break function (NC)	3 port LED red