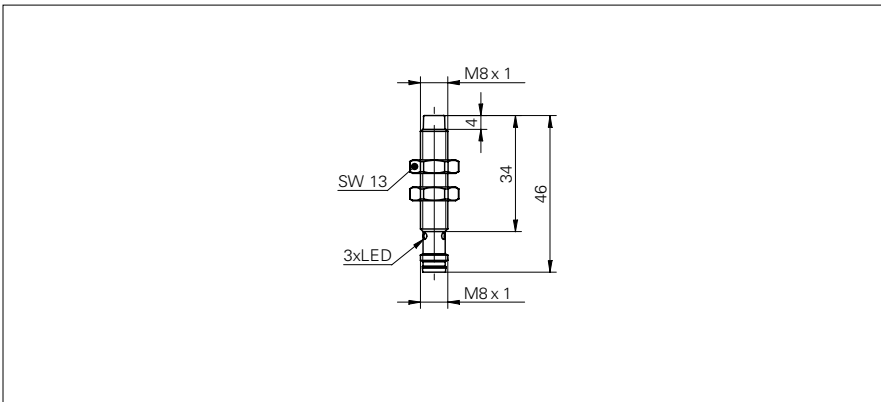


# Inductive proximity switch

# IFRM 08 (Sn = 6 mm)

**sample drawing**



**general data**

mounting type	non-flush
special type	enhanced distance (GammaProx)
nominal sensing distance Sn	6 mm
hysteresis	2 ... 25 % of Sr

**electrical data**

switching frequency	< 400 Hz
voltage supply range +Vs	12 ... 30 VDC
current consumption max. (no load)	18 mA
voltage drop Vd	< 2 VDC
output current	< 200 mA
short circuit protection	yes
reverse polarity protection	yes

**mechanical data**

type	cylindrical threaded
material (sensing face)	PBT
housing material	stainless steel
dimension	8 mm

**cable, 2 m**

housing length	40 mm
----------------	-------

**connector M8**

housing length	46 mm
----------------	-------

**ambient conditions**

operating temperature	0 ... +60 °C
protection class	IP 67

order reference	connection types	output circuit	output indicator
<b>IFRM 08N13G1/L</b>	cable, 2 m	NPN make function (NO)	LED red
<b>IFRM 08N13G1/S35L</b>	connector M8	NPN make function (NO)	3 port LED red
<b>IFRM 08N33G1/L</b>	cable, 2 m	NPN break function (NC)	LED red
<b>IFRM 08N33G1/S35L</b>	connector M8	NPN break function (NC)	3 port LED red
<b>IFRM 08P13G1/L</b>	cable, 2 m	PNP make function (NO)	LED red
<b>IFRM 08P13G1/S35L</b>	connector M8	PNP make function (NO)	3 port LED red
<b>IFRM 08P33G1/L</b>	cable, 2 m	PNP break function (NC)	LED red
<b>IFRM 08P33G1/S35L</b>	connector M8	PNP break function (NC)	3 port LED red

**sample picture**

