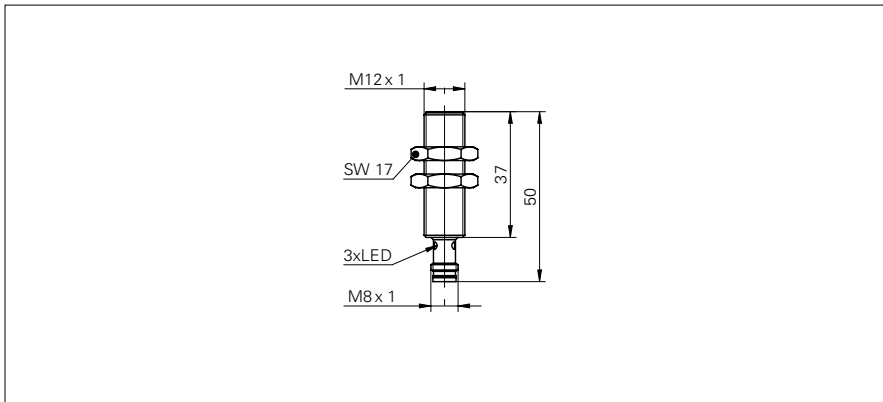


## Inductive proximity switch

## IFRM 12 (connector M8)

### sample drawing



### general data

mounting type	flush
nominal sensing distance $S_n$	4 mm
hysteresis	3 ... 25 % of $S_r$
output indicator	3 port LED red

### electrical data

switching frequency	< 2 kHz
voltage supply range +Vs	12 ... 30 VDC
current consumption max. (no load)	18 mA
voltage drop $V_d$	< 3 VDC
output current	< 200 mA
short circuit protection	yes
reverse polarity protection	yes

### mechanical data

type	cylindrical threaded
material (sensing face)	PBT
housing material	brass nickel plated
dimension	12 mm
housing length	50 mm
connection types	connector M8

### ambient conditions

operating temperature	-25 ... +75 °C
protection class	IP 67

### order reference

<b>IFRM 12N1701/S35L</b>	NPN make function (NO)
<b>IFRM 12N3701/S35L</b>	NPN break function (NC)
<b>IFRM 12P1701/S35L</b>	PNP make function (NO)
<b>IFRM 12P3701/S35L</b>	PNP break function (NC)

### output circuit

### sample picture

