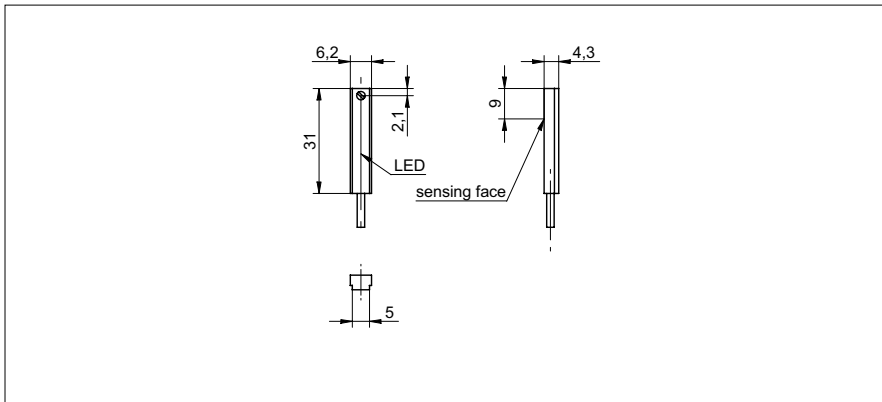


## Magnetic cylinder sensors

## MZTK 06 (T-slots, axial)

### sample drawing



### general data

type	magneto-resistive
version	T-slots
nominal operation point	4 mT
difference ON-OFF	0,5 ... 1,5 mT
output indicator	LED yellow

### electrical data

switching frequency	< 200 kHz
response time / release time	< 0,0025 ms
current consumption max. (no load)	12 mA
output current	< 200 mA
voltage supply range +Vs	6 ... 30 VDC
output function	normally open (NO)
voltage drop Vd	< 1 VDC
reverse polarity protection	yes
short circuit protection	yes

### mechanical data

cable output	axial
type	rectangular
depth	31 mm
width / diameter	6,2 mm
height / length	4,3 mm
housing material	PA66

### ambient conditions

operating temperature	-40 ... +70 °C
protection class	IP 67

order reference	output circuit	connection types
<b>MZTK 06N1011</b>	NPN	cable PUR 3 x 0,08, 2,5 m
<b>MZTK 06N1011/KS35D</b>	NPN	flylead connector PUR M8, L=300 mm
<b>MZTK 06P1011</b>	PNP	cable PUR 3 x 0,08, 2,5 m
<b>MZTK 06P1011/0500</b>	PNP	cable PUR 3 pin, 5 m
<b>MZTK 06P1011/KS35D</b>	PNP	flylead connector PUR M8, L=300 mm

### sample picture

