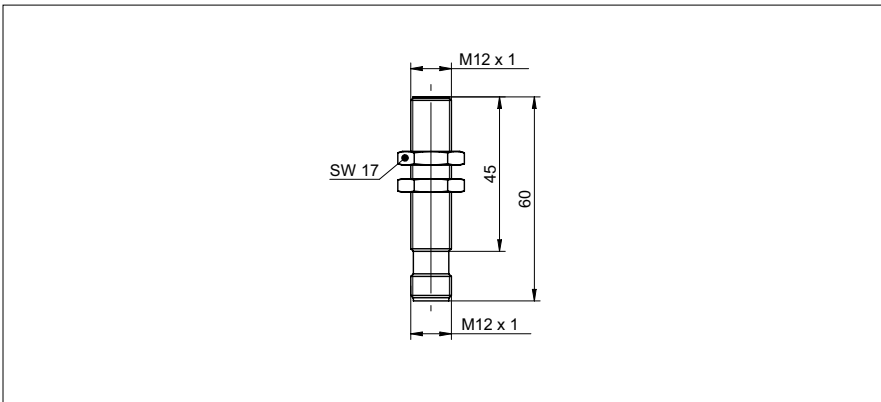


Hall sensors

MHRM 12 (Sn = 1,8 mm)

sample drawing



general data

sensor type	hall sensor
working distance max.	<0,7 mm (module 1), <2,4 mm (module 3)
min. gear size	> module 1
gear width	> 6 mm
gear material	ferromagnetic

electrical data

switching frequency range	0 ... 15 kHz
voltage supply range +Vs	8 ... 28 VDC
current consumption max. (no load)	20 mA
output A	push-pull
output B	none
output current	< 30 mA
voltage drop Vd	< 5 VDC
short circuit protection	yes
reverse polarity protection	yes, Vs to GND

mechanical data

type	cylindrical threaded
housing material	brass nickel plated
dimension	12 mm
material (sensing face)	PBTP

ambient conditions

operating temperature	-40 ... +85 °C
protection class (sensing face)	IP 67
protection class (sensor)	IP 67

order reference	housing length	connection types
MHRM 12G5501	50 mm	cable PUR, 2 m
MHRM 12G5501/S14	60 mm	connector

sample picture

