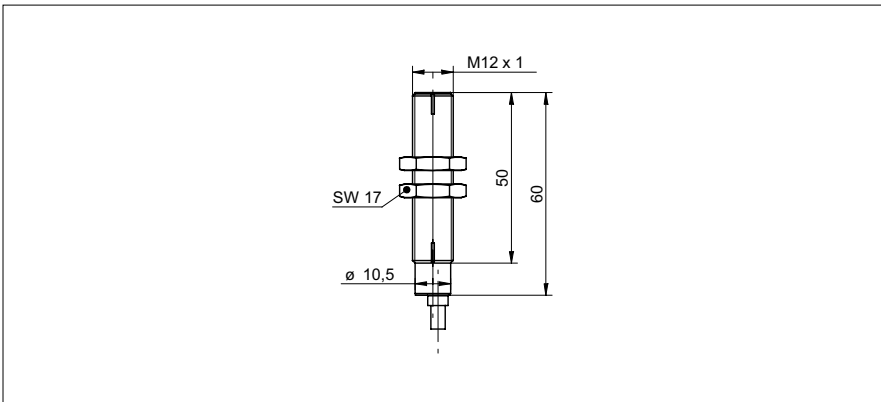


**Hall sensors**

**IHRM 12**

**sample drawing**



**general data**

version	full metal
sensor type	differential hall sensor
working distance max.	<1 mm (module 1), <2,5 mm (module 3)
min. gear size	> module 1
gear width	> 6 mm
gear material	ferromagnetic

**electrical data**

switching frequency range	1 ... 20 kHz
voltage supply range +Vs	8 ... 28 VDC
current consumption max. (no load)	20 mA
output A	PNP
output B	none
output current	< 30 mA
voltage drop Vd	< 3 VDC
short circuit protection	yes
reverse polarity protection	yes, Vs to GND

**mechanical data**

type	cylindrical threaded
housing material	stainless steel
dimension	12 mm
housing length	60 mm
installation aid	keyway
front of sensor durable against pressure	20 bar

**ambient conditions**

protection class (sensing face)	IP 68
protection class (sensor)	IP 67

**order reference**

<b>IHRM 12P1501</b>
<b>IHRM 12P1501/KS34P</b>

**operating temperature**

-40 ... +120 °C
-25 ... +75 °C

**connection types**

cable FEP, 2 m
flylead connector PUR M12, L=200 mm

**sample picture**

