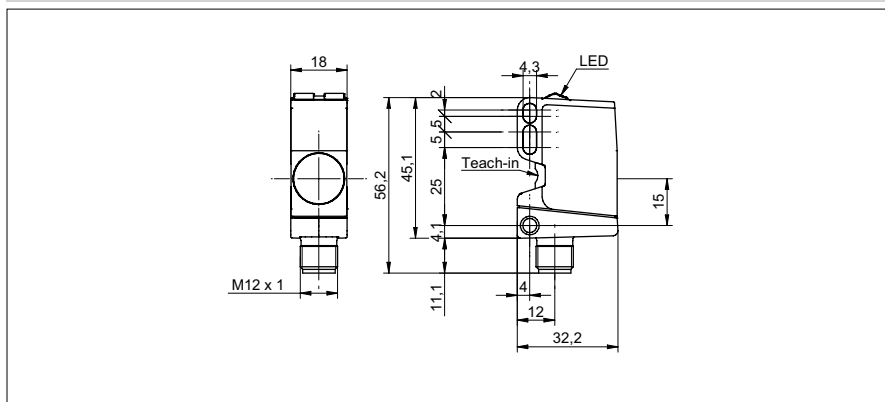


Ultrasonic retro-reflective sensors

U500.RA0

sample drawing



general data

scanning range sd	0 ... 1000 mm
reflector position Sde	200 ... 1000 mm
adjusting range reflector (operating range)	$\pm 2,5 \% Sde$
adjusting range reflector (limit range)	$\pm 5 \% Sde$
repeat accuracy	< 3 mm
temperature drift	< 2 % Sde
power-up drift	compensated after 15 min.
response time ton	< 50 ms
release time toff	< 50 ms
sonic frequency	220 kHz
adjustment	qTeach
alignment aid	light indicator flashing
light indicator	LED yellow
power on indication	LED green
alignment measuring axis	< 2°

electrical data

voltage supply range +Vs	12 ... 30 VDC
current consumption typ.	35 mA
output circuit	push-pull
output current	< 100 mA
voltage drop Vd	< 3,5 VDC
residual ripple	< 10 % Vs
short circuit protection	yes
reverse polarity protection	yes

mechanical data

type	rectangular
housing material	plastic (ASA, PMMA)
width / diameter	18 mm
height / length	45 mm
depth	32 mm

sample picture



Ultrasonic retro-reflective sensors**U500.RA0****ambient conditions**

operating temperature	-25 ... +65 °C
storage temperature	-40 ... +75 °C
protection class	IP 67

order reference**U500.RA0-11127347****U500.RA0-11110579****connection types**

cable PUR 4 x 0,25, 2 m

connector M12