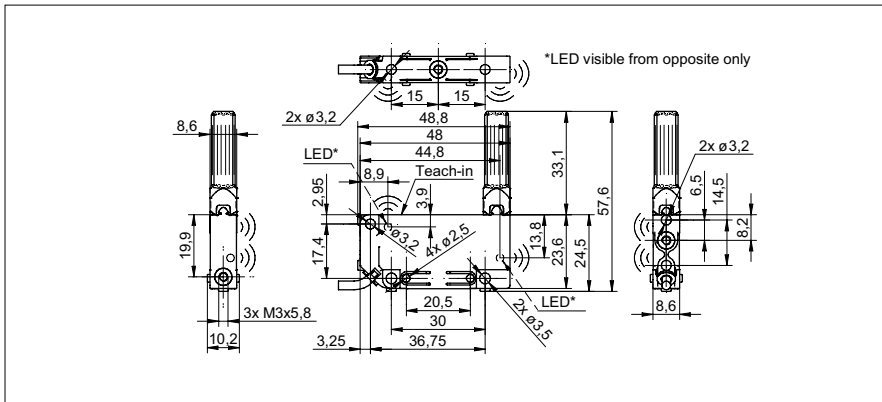


Ultrasonic proximity sensors

UNDK 09 (with beam columnator)

sample drawing



general data

scanning range sd	3 ... 150 mm
scanning range far limit Sde	3 ... 150 mm
hysteresis typ.	4 % Sde
repeat accuracy	< 0,5 mm
temperature drift	< 0,18 % Sde/K
response time ton	< 7 ms
release time toff	< 7 ms
sonic frequency	380 kHz
adjustment	Teach-in
alignment aid	target indication flashing
output indicator	green LED / red LED

electrical data

voltage supply range +Vs	12 ... 30 VDC
current consumption max. (no load)	35 mA
output circuit	push-pull
output current	< 100 mA
voltage drop Vd	< 2 VDC
residual ripple	< 10 % Vs
short circuit protection	yes
reverse polarity protection	yes

mechanical data

type	rectangular
housing material	PA 12
width / diameter	8,6 mm
height / length	48,8 mm
depth	57,7 mm

ambient conditions

operating temperature	0 ... +60 °C
protection class	IP 67

order reference

UNDK 09G8914/D1	cable PUR 4 x 0,08, 2 m
UNDK 09G8914/KS35AD1	flylead connector M8, L=200 mm

connection types

sample picture

