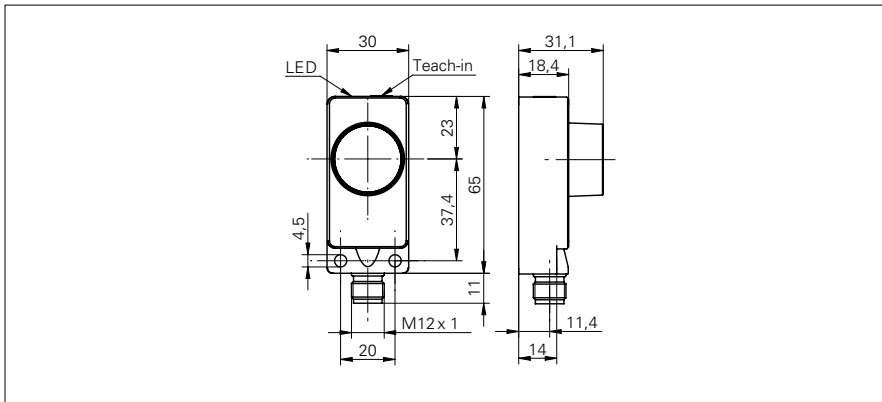


Ultrasonic proximity sensors

UZDK 30 (Sd = 2000 mm)

sample drawing



general data

| | |
|------------------------------|----------------------------|
| special type | 2 point proximity switch |
| scanning range sd | 200 ... 2000 mm |
| scanning range far limit Sde | 200 ... 2000 mm |
| hysteresis typ. | 4 % Sde |
| repeat accuracy | < 1 mm |
| temperature drift | < 2 % Sde |
| response time ton | < 80 ms |
| release time toff | < 80 ms |
| sonic frequency | 200 kHz |
| adjustment | Teach-in |
| alignment aid | target indication flashing |
| output indicator | green / yellow LED |

electrical data

| | |
|------------------------------------|------------------------|
| voltage supply range +Vs | 12 ... 30 VDC |
| current consumption max. (no load) | 40 mA |
| output circuit | PNP make function (NO) |
| output current | < 200 mA |
| voltage drop Vd | < 2 VDC |
| residual ripple | < 10 % Vs |
| short circuit protection | yes |
| reverse polarity protection | yes |

mechanical data

| | |
|------------------|---------------------------|
| type | rectangular |
| housing material | polyester / die-cast zinc |
| width / diameter | 30 mm |
| height / length | 65 mm |
| depth | 31 mm |

ambient conditions

| | |
|-----------------------|----------------|
| operating temperature | -10 ... +60 °C |
| protection class | IP 67 |

order reference

| | |
|-------------------------|---------------|
| UZDK 30P6104 | cable, 2 m |
| UZDK 30P6104/S14 | connector M12 |

connection types

sample picture

