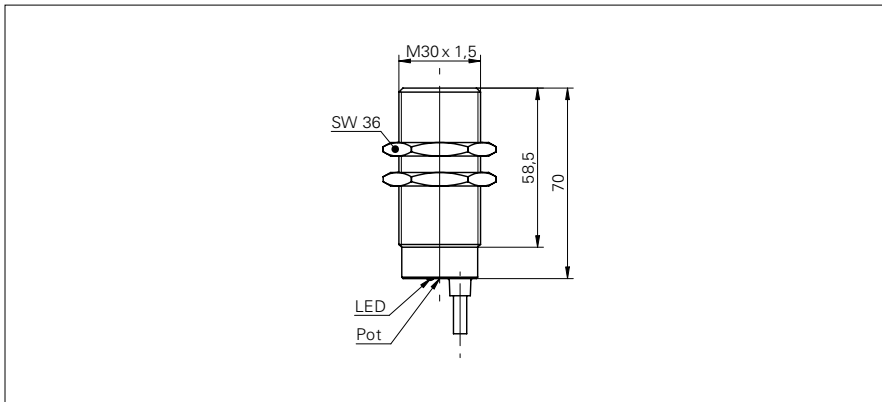


**Ultrasonic proximity sensors**

**UNAM 30P3104**

**dimension drawing**



**general data**

scanning range sd	200 ... 1500 mm
scanning range far limit Sde	200 ... 1500 mm
hysteresis typ.	4 % Sde
repeat accuracy	< 1 mm
temperature drift	< 0,18 % Sde/K
response time ton	< 100 ms
release time toff	< 100 ms
sonic frequency	200 kHz
adjustment	potentiometer
alignment aid	target indication flashing
output indicator	LED green

**electrical data**

voltage supply range +Vs	12 ... 30 VDC
current consumption max. (no load)	30 mA
output circuit	PNP break function (NC)
output current	< 200 mA
voltage drop Vd	< 2 VDC
residual ripple	< 10 % Vs
short circuit protection	yes
reverse polarity protection	yes

**mechanical data**

type	cylindrical threaded
housing material	brass nickel plated
width / diameter	30 mm
height / length	70 mm
connection types	cable, 2 m

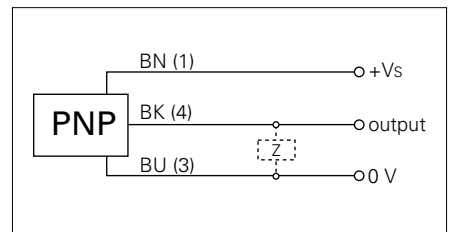
**ambient conditions**

operating temperature	-25 ... +60 °C
protection class	IP 67

**photo**



**connection diagram**



- extended sensing distance