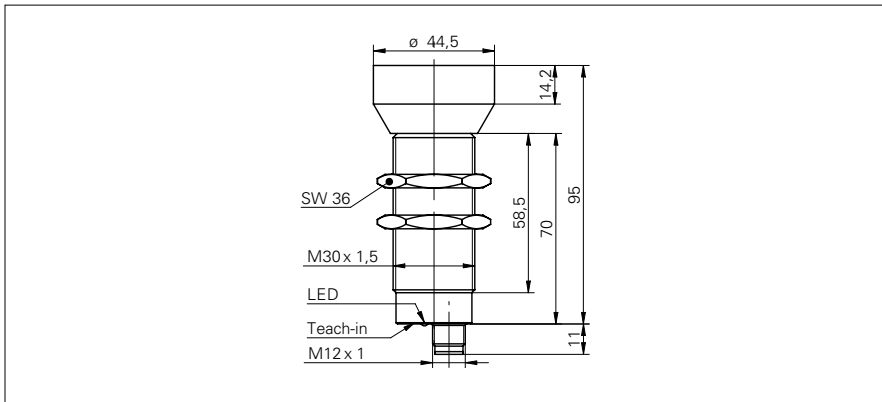


Ultrasonic proximity sensors

UZAM 50

sample drawing



general data

special type	2 point proximity switch
scanning range sd	350 ... 2500 mm
scanning range far limit Sde	350 ... 2500 mm
hysteresis typ.	4 % Sde
repeat accuracy	< 1 mm
temperature drift	< 2 % Sde
response time ton	< 160 ms
release time toff	< 160 ms
sonic frequency	120 kHz
adjustment	Teach-in
alignment aid	target indication flashing
output indicator	green / yellow LED

electrical data

voltage supply range +Vs	12 ... 30 VDC
current consumption max. (no load)	40 mA
output current	< 200 mA
voltage drop Vd	< 2 VDC
residual ripple	< 10 % Vs
short circuit protection	yes
reverse polarity protection	yes

mechanical data

type	cylindrical threaded
housing material	brass nickel plated
width / diameter	30 mm
height / length	95 mm

ambient conditions

operating temperature	-10 ... +60 °C
protection class	IP 67

order reference	output circuit	connection types
UZAM 50N6121	NPN make function (NO)	cable, 2 m
UZAM 50N6121/S14	NPN make function (NO)	connector M12
UZAM 50P6121	PNP make function (NO)	cable, 2 m
UZAM 50P6121/S14	PNP make function (NO)	connector M12

sample picture

