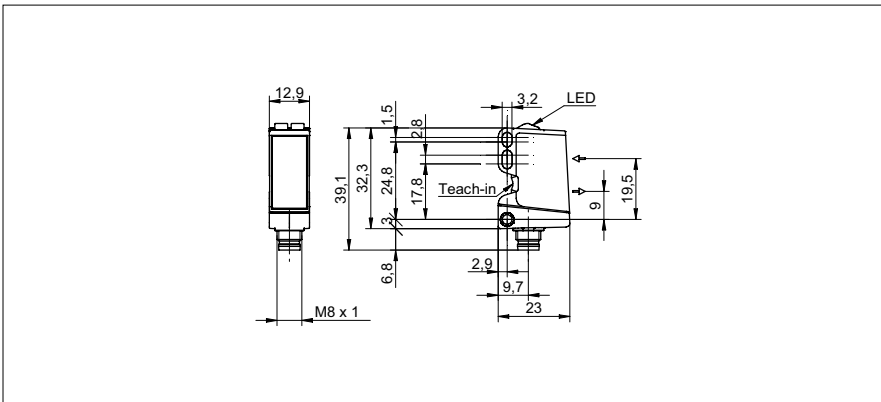


Diffuse sensors with background suppression

O300.GP

sample drawing



general data

type	background suppression
light source	pulsed PinPoint LED
sensing distance T_w	30 ... 200 mm
sensing range T_b	15 ... 200 mm
power on indication	LED green
light indicator	LED yellow
wave length	630 nm
suppression of reciprocal influence	yes
alignment optical axis	< 2°

electrical data

response time / release time	< 0,49 ms
voltage supply range +Vs	10 ... 30 VDC
current consumption max. (no load)	45 mA
current consumption typ.	30 mA
voltage drop Vd	< 3 VDC
output function	light / dark operate
output current	< 100 mA
short circuit protection	yes
reverse polarity protection	yes

mechanical data

width / diameter	12,9 mm
height / length	32,3 mm
depth	23 mm
type	rectangular
housing material	plastic (ASA, PMMA)
front (optics)	PMMA

ambient conditions

operating temperature	-25 ... +60 °C
protection class	IP 67

sample picture



Diffuse sensors with background suppression

O300.GP

order reference	connection types	output circuit	sensing distance adjustment
O300.GP-11120101	cable 4 pin, 2 m	push-pull	qTeach / external
O300.GP-11110415	connector M8 4 pin	push-pull	qTeach / external
O300.GP-11143644	flylead connector M8, L=200 mm	push-pull	qTeach / external
O300.GP-11125058	cable 4 pin, 2 m	push-pull	Teach-in and IO-Link
O300.GP-11125023	connector M8 4 pin	push-pull	Teach-in and IO-Link
O300.GP-11120103	cable 4 pin, 2 m	NPN complementary	qTeach
O300.GP-11135827	cable 4 pin, 2 m	NPN complementary	qTeach / 1-Step Teach-in
O300.GP-11135828	connector M8 4 pin	NPN complementary	qTeach / 1-Step Teach-in
O300.GP-11110442	connector M8 4 pin	NPN complementary	qTeach
O300.GP-11120104	cable 4 pin, 2 m	PNP complementary	qTeach
O300.GP-11135829	cable 4 pin, 2 m	PNP complementary	qTeach / 1-Step Teach-in
O300.GP-11135850	connector M8 4 pin	PNP complementary	qTeach / 1-Step Teach-in
O300.GP-11110441	connector M8 4 pin	PNP complementary	qTeach
O300.GP-11147416	flylead connector M12, L=200 mm	PNP complementary	qTeach