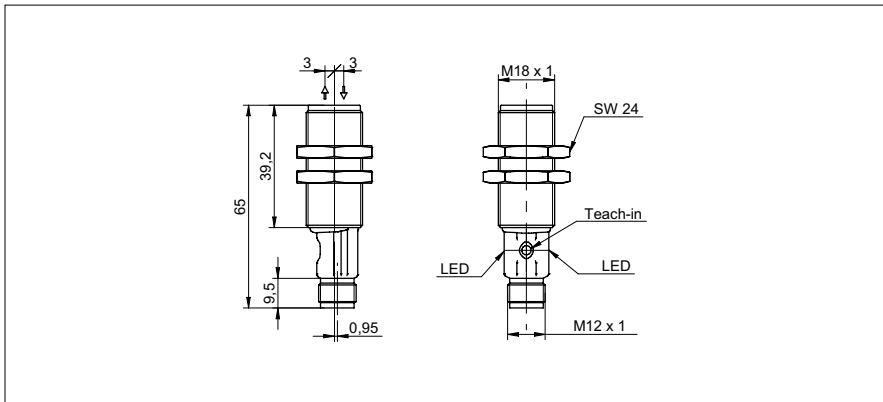


Diffuse sensors with background suppression

OR18.GP-11129327

dimension drawing



general data

| | |
|-------------------------------------|------------------------|
| type | background suppression |
| light source | pulsed PinPoint LED |
| sensing distance Tw | 45 ... 200 mm |
| sensing range Tb | 20 ... 200 mm |
| power on indication | LED green |
| light indicator | LED yellow |
| sensing distance adjustment | qTeach |
| wave length | 630 nm |
| suppression of reciprocal influence | yes |

electrical data

| | |
|------------------------------------|----------------------|
| response time / release time | < 0,49 ms |
| voltage supply range +Vs | 10 ... 30 VDC |
| current consumption max. (no load) | 45 mA |
| current consumption typ. | 30 mA |
| voltage drop Vd | < 3 VDC |
| output function | light / dark operate |
| output circuit | NPN complementary |
| output current | < 100 mA |
| short circuit protection | yes |
| reverse polarity protection | yes |

mechanical data

| | |
|------------------|----------------------|
| width / diameter | 18 mm |
| height / length | 65 mm |
| type | cylindrical threaded |
| housing material | brass nickel plated |
| front (optics) | PA |
| connection types | connector M12 4 pin |

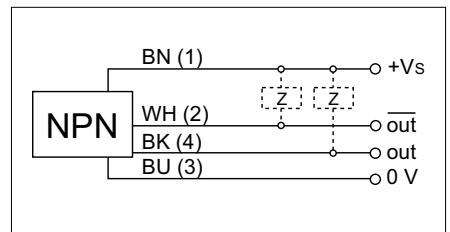
ambient conditions

| | |
|-----------------------|----------------|
| operating temperature | -25 ... +60 °C |
| protection class | IP 67 |

photo



connection diagram



• qTeach