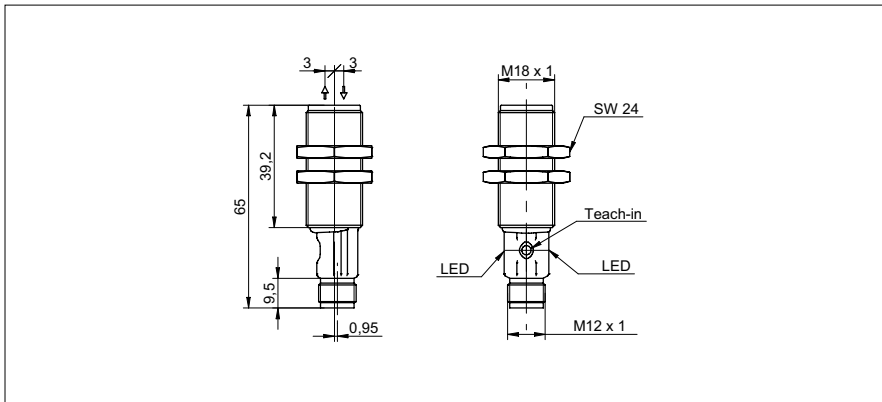


SmartReflect Light barriers

OR18.SP

sample drawing



general data

type	light barrier
version	standard object detection
light source	pulsed PinPoint LED
background position Sde	55 ... 300 mm
scanning range Sa	90% ... 85% Sde
light indicator	LED green
output indicator	LED yellow
wave length	630 nm
suppression of reciprocal influence	yes

electrical data

response time / release time	< 0,49 ms
voltage supply range +Vs	10 ... 30 VDC
current consumption max. (no load)	45 mA
current consumption typ.	30 mA
voltage drop Vd	< 3 VDC
output function	light / dark operate
output current	< 100 mA
short circuit protection	yes
reverse polarity protection	yes

mechanical data

width / diameter	18 mm
height / length	65 mm
type	cylindrical threaded
housing material	brass nickel plated
front (optics)	PA
connection types	connector M12 4 pin

ambient conditions

operating temperature	-25 ... +60 °C
protection class	IP 67

sample picture



SmartReflect Light barriers**OR18.SP**

order reference	output circuit	sensing distance adjustment
OR18.SP-11128095	push-pull	qTeach / external
OR18.SP-11129342	NPN complementary	qTeach
OR18.SP-11129340	PNP complementary	qTeach