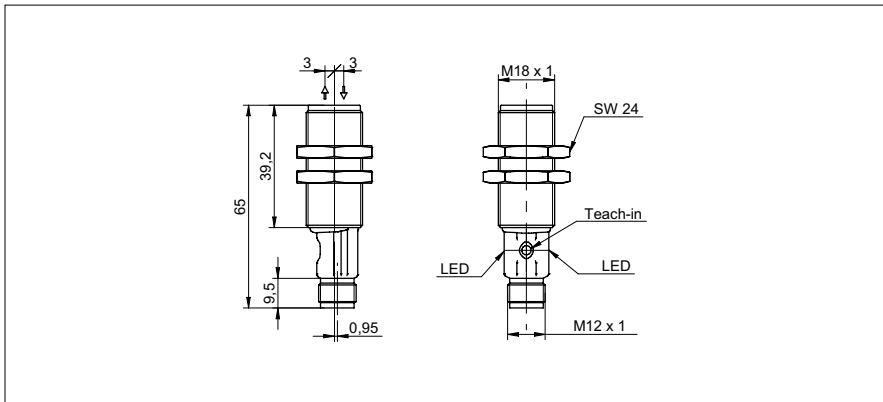


**SmartReflect Light barriers**

**OR18.SP-11128095**

**dimension drawing**



**general data**

type	light barrier
version	standard object detection
light source	pulsed PinPoint LED
background position Sde	55 ... 300 mm
scanning range Sa	90% ... 85% Sde
light indicator	LED green
output indicator	LED yellow
sensing distance adjustment	qTeach / external
wave length	630 nm
suppression of reciprocal influence	yes

**electrical data**

response time / release time	< 0,49 ms
voltage supply range +Vs	10 ... 30 VDC
current consumption max. (no load)	45 mA
current consumption typ.	30 mA
voltage drop Vd	< 3 VDC
output function	light / dark operate
output circuit	push-pull
output current	< 100 mA
short circuit protection	yes
reverse polarity protection	yes

**mechanical data**

width / diameter	18 mm
height / length	65 mm
type	cylindrical threaded
housing material	brass nickel plated
front (optics)	PA
connection types	connector M12 4 pin

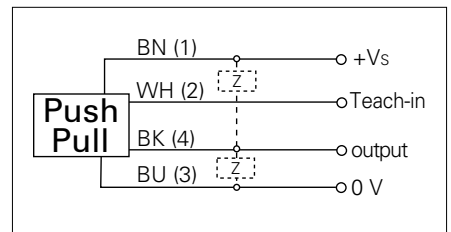
**ambient conditions**

operating temperature	-25 ... +60 °C
protection class	IP 67

**photo**



**connection diagram**



• qTeach