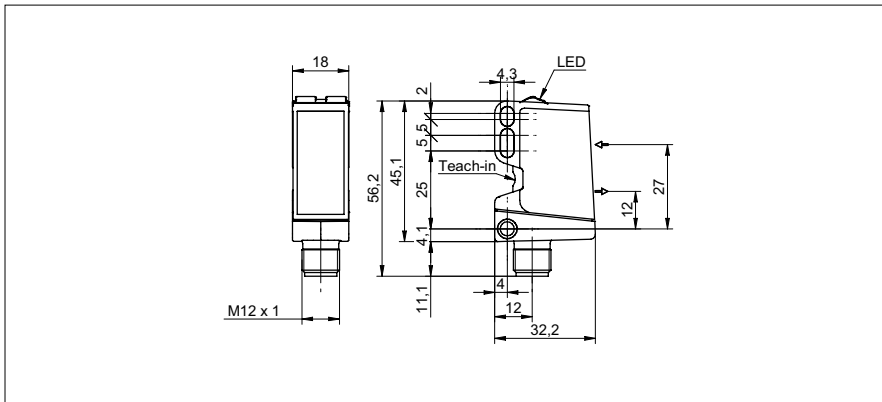


**SmartReflect Light barriers**

**O500.SP**

**sample drawing**



**general data**

type	light barrier
light source	pulsed PinPoint LED
power on indication	LED green
light indicator	LED yellow
wave length	630 nm
suppression of reciprocal influence	yes
alignment optical axis	< 1°

**electrical data**

voltage supply range +Vs	10 ... 30 VDC
current consumption max. (no load)	40 mA
current consumption typ.	30 mA
voltage drop Vd	< 3 VDC
output function	light / dark operate
output current	< 100 mA
short circuit protection	yes
reverse polarity protection	yes

**mechanical data**

width / diameter	18 mm
height / length	45 mm
depth	32 mm
type	rectangular
housing material	plastic (ASA, PMMA)
front (optics)	PMMA

**ambient conditions**

operating temperature	-25 ... +60 °C
protection class	IP 67

**sample picture**



**SmartReflect Light barriers**
**O500.SP**

order reference	version	background position Sde	connection types	output circuit	sensing distance adjustment	response time / release time	scanning range Sa
<b>O500.SP-11096085</b>	standard object detection	60 ... 600 mm	cable 4 pin, 2 m	push-pull	qTeach / external	< 0,49 ms	90% ... 85% Sde
<b>O500.SP-11096080</b>	standard object detection	60 ... 600 mm	connector M12 4 pin	push-pull	qTeach / external	< 0,49 ms	90% ... 85% Sde
<b>O500.SP-11139106</b>	standard object detection	60 ... 600 mm	flylead connector M12, L=200 mm	push-pull	qTeach / external	< 0,49 ms	90% ... 85% Sde
<b>O500.SP-11125089</b>	standard object detection	60 ... 600 mm	cable 4 pin, 2 m	push-pull	Teach-in and IO-Link	< 0,49 ms	90% ... 85% Sde
<b>O500.SP-11125082</b>	standard object detection	60 ... 600 mm	connector M12 4 pin	push-pull	Teach-in and IO-Link	< 0,49 ms	90% ... 85% Sde
<b>O500.SP-11096088</b>	standard object detection	60 ... 600 mm	cable 4 pin, 2 m	NPN complementary	qTeach	< 0,49 ms	90% ... 85% Sde
<b>O500.SP-11135865</b>	standard object detection	60 ... 600 mm	cable 4 pin, 2 m	NPN complementary	qTeach / 1-Step Teach-in	< 0,49 ms	90% ... 85% Sde
<b>O500.SP-11135866</b>	standard object detection	60 ... 600 mm	connector M12 4 pin	NPN complementary	qTeach / 1-Step Teach-in	< 0,49 ms	90% ... 85% Sde
<b>O500.SP-11096083</b>	standard object detection	60 ... 600 mm	connector M12 4 pin	NPN complementary	qTeach	< 0,49 ms	90% ... 85% Sde
<b>O500.SP-11096086</b>	standard object detection	60 ... 600 mm	cable 4 pin, 2 m	PNP complementary	qTeach	< 0,49 ms	90% ... 85% Sde
<b>O500.SP-11135867</b>	standard object detection	60 ... 600 mm	cable 4 pin, 2 m	PNP complementary	qTeach / 1-Step Teach-in	< 0,49 ms	90% ... 85% Sde
<b>O500.SP-11135869</b>	standard object detection	60 ... 600 mm	connector M12 4 pin	PNP complementary	qTeach / 1-Step Teach-in	< 0,49 ms	90% ... 85% Sde
<b>O500.SP-11096081</b>	standard object detection	60 ... 600 mm	connector M12 4 pin	PNP complementary	qTeach	< 0,49 ms	90% ... 85% Sde
<b>O500.SPT-11136920</b>	transparency object detection	60 ... 1000 mm	cable 4 pin, 2 m	push-pull	Teach-in and IO-Link	< 0,25 ms	100% ... 85% Sde
<b>O500.SPT-11136921</b>	transparency object detection	60 ... 1000 mm	connector M12 4 pin	push-pull	Teach-in and IO-Link	< 0,25 ms	100% ... 85% Sde