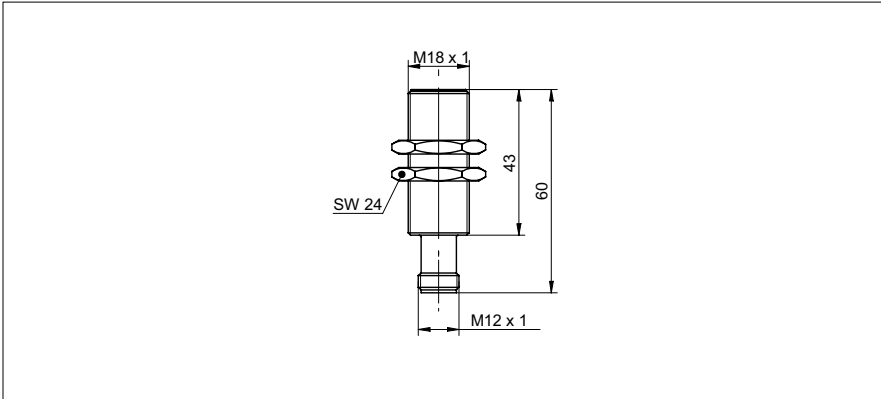


# Inductive distance measuring sensors

## IWRR 18I97T4/S14

### dimension drawing



### general data

mounting type	quasi-flush
special type	Outdoor design Washdown design
measuring distance Sd	0 ... 7 mm
resolution	< 0,005 mm (stat.) < 0,01 mm (dynam.)
repeat accuracy	< 0,015 mm
linearity error	± 350 µm
temperature drift	± 10 % (Full Scale)
approvals/certificates	Ecolab

### electrical data

response time (factory characteristic)	< 2 ms
voltage supply range +Vs	15 ... 30 VDC
current consumption max. (no load)	40 mA
output circuit	current output
output signal	4 ... 20 mA
load resistance +Vs min.	< 330 Ohm
load resistance +Vs max.	< 1000 Ohm
short circuit protection	yes
reverse polarity protection	yes

### mechanical data

type	cylindrical threaded
material (sensing face)	LCP
housing material	stainless steel 1.4404 (V4A)
dimension	18 mm
housing length	60 mm
connection types	connector M12

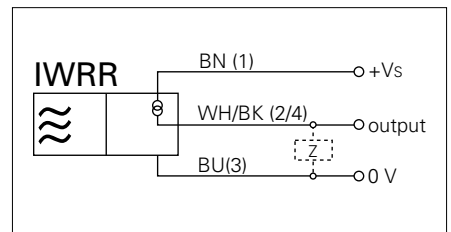
### ambient conditions

operating temperature	-40 ... +70 °C
cleaning temperature	70 ... +85 °C (30 min/day)
protection class	IP 68/69K & proTect+
vibration resistance	EN 61373: 2010 (category 3), 5h per axis (14.4 gRMS, 10-500 Hz, EN 60068-2-64)
shock resistance	EN 61373: 2010 (category 3), 10 bumps per axis (100 g, 6 ms, EN 60068-2-27)

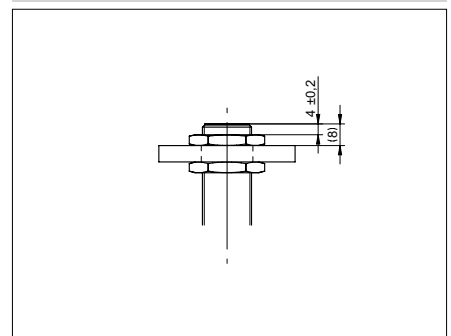
### photo



### connection diagram



### installation drawing



• Sensor FDA compliant and Ecolab approved