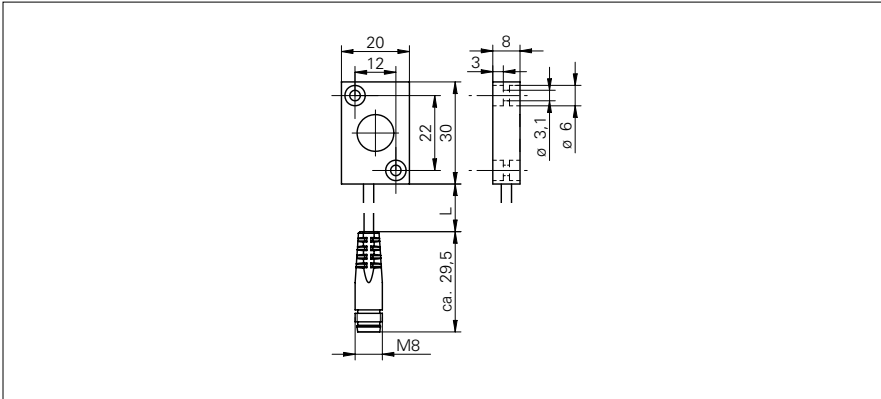


# Inductive distance measuring sensors

## IWFM 20U9509/KS35AP

### dimension drawing



### general data

mounting type	flush
measuring distance $S_d$	0 ... 2 mm
resolution	< 0,001 mm (stat.) < 0,005 mm (dynam.)
repeat accuracy	< 0,01 mm
linearity error	$\pm 40 \mu\text{m}$
temperature drift	$\pm 2 \%$ (Full Scale)

### electrical data

response time (factory characteristic)	< 0,5 ms
voltage supply range +Vs	15 ... 30 VDC
current consumption max. (no load)	20 mA
output circuit	voltage output
output signal	0 ... 10 VDC
load resistance	> 1000 Ohm
short circuit protection	yes
reverse polarity protection	yes

### mechanical data

type	rectangular
housing material	brass nickel plated
dimension	20 mm
housing length	30 mm
connection types	flylead connector M8

### ambient conditions

operating temperature	-10 ... +70 °C
protection class	IP 67

### photo



### connection diagram

