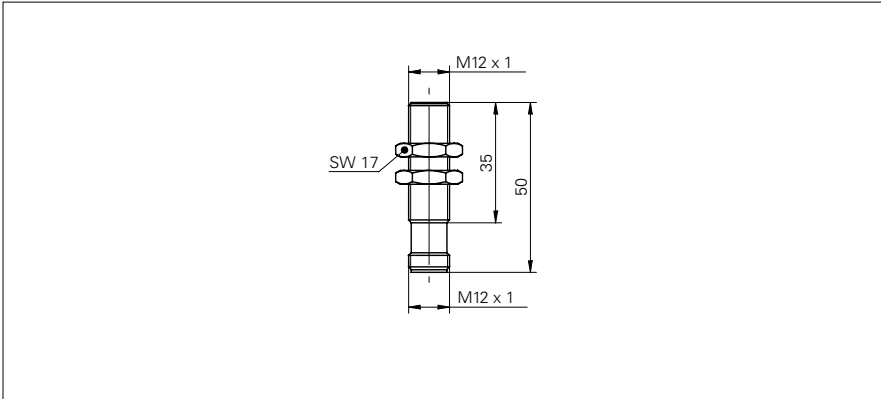


# Inductive distance measuring sensors

## IWRM 12I9704/S14X

### dimension drawing



### general data

mounting type	quasi-flush
measuring distance Sd	0 ... 4 mm
resolution	< 0,001 mm (stat.) < 0,005 mm (dynam.)
repeat accuracy	< 0,01 mm
linearity error	± 160 µm
temperature drift	± 4 % (Full Scale)
approvals/certificates	ATEX 2D

### electrical data

response time (factory characteristic)	< 2 ms
voltage supply range +Vs	15 ... 27 VDC
current consumption max. (no load)	20 mA
output circuit	current output
output signal	4 ... 20 mA
load resistance +Vs min.	< 330 Ohm
load resistance +Vs max.	< 1000 Ohm
Maximal zulässige Verlustleistung	< 1,35 W
short circuit protection	yes
reverse polarity protection	yes

### mechanical data

type	cylindrical threaded
housing material	brass nickel plated
dimension	12 mm
housing length	50 mm
connection types	connector M12
tightening torque max.	15 Nm

### ambient conditions

protection class	IP 67
------------------	-------

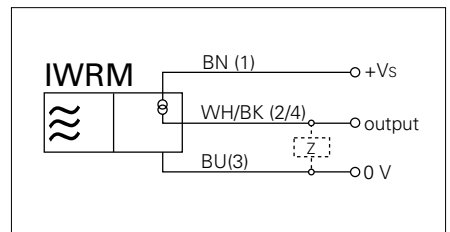
### safe maximum values

marking	II 2D Ex tb IIIC T100°C Db IP6X
operating temperature Ta	-10 ... +50 °C

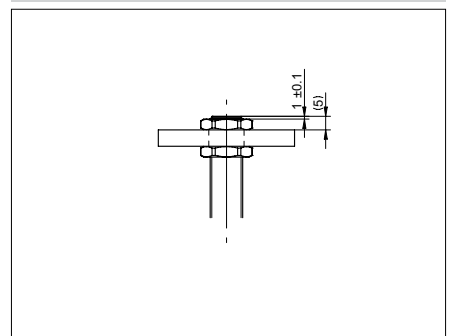
### photo



### connection diagram



### installation drawing



• linearity deviation (S = 0,5...4 mm) ± 4% (Full Scale)

## Inductive distance measuring sensors

## IWRM 12I9704/S14X

### Safe maximum values

EC type test certificate	SEV 12 ATEX 0123 X
Marking	Ⓔ II 2D Ex tb IIIC T100°C Db IP6X
Standards	According to the declaration of conformity
Operating temperature	-10 ... +50 °C
Storage temperature	-10 ... +75°C

### Special conditions "X"

- The device must be set up so that the device and the plug-in connector are completely mechanically protected from impact effects in accordance with EN 60079-0 Section 26.4.2
- The metal housing must be conductively connected to the plant's equipotential bonding system
- The plug may only be connected or disconnected in a de-energized state and must be secured against tool-free isolation with the supplied fuse clip
- Device and connection cable must be installed so that they are protected from UV light

### Approved Baumer connection cable

Cable type	PUR halogen-free black
Cable outer diameter	4.40 mm
Wire	3 x 0.34 mm <sup>2</sup>
Additional strain relief required	> 100 N
Installation torque for tightness	0.4 Nm
UL- listed	E315836

Straight connector	ESG 34SH0200X	11099263	2 m
	ESG 34SH0300X	11099265	3 m
	ESG 34SH0500X	11099266	5 m
	ESG 34SH1000X	11099267	10 m
	ESG 34SH2000X	11099268	20 m

Angled connector	ESW 33SH0200X	11099269	2 m
	ESW 33SH0500X	11099270	5 m
	ESW 33SH0600X	11099271	6 m
	ESW 33SH1000X	11099272	10 m
	ESW 33SH2000X	11099273	20 m

*Other lengths on request*