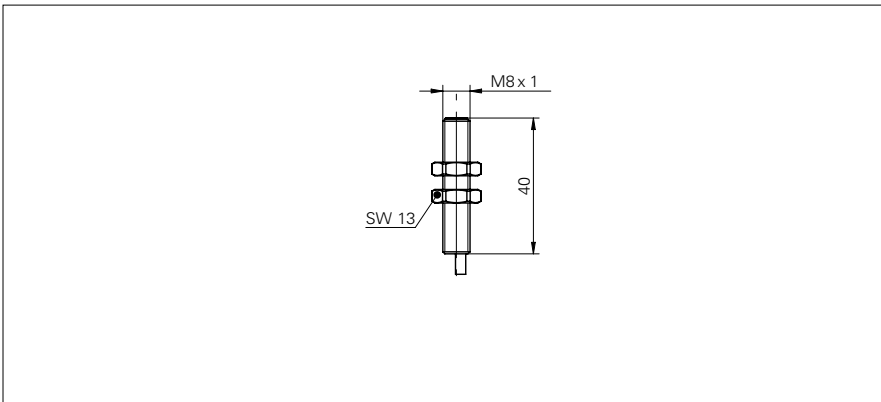


# Inductive distance measuring sensors

## IWRM 08U9501

**dimension drawing**



**general data**

mounting type	quasi-flush
measuring distance Sd	0 ... 2 mm
resolution	< 0,001 mm (stat.) < 0,005 mm (dynam.)
repeat accuracy	< 0,02 mm
linearity error	± 100 µm
temperature drift	± 5 % (Full Scale)

**electrical data**

response time (factory characteristic)	< 0,5 ms
voltage supply range +Vs	15 ... 30 VDC
current consumption max. (no load)	25 mA
output circuit	voltage output
output signal	0 ... 10 VDC
load resistance	> 1000 Ohm
short circuit protection	yes
reverse polarity protection	yes

**mechanical data**

type	cylindrical threaded
housing material	stainless steel
dimension	8 mm
housing length	40 mm
connection types	cable, 2 m

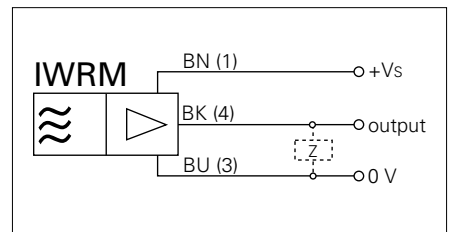
**ambient conditions**

operating temperature	10 ... +60 °C
protection class	IP 67

**photo**



**connection diagram**



**installation drawing**

