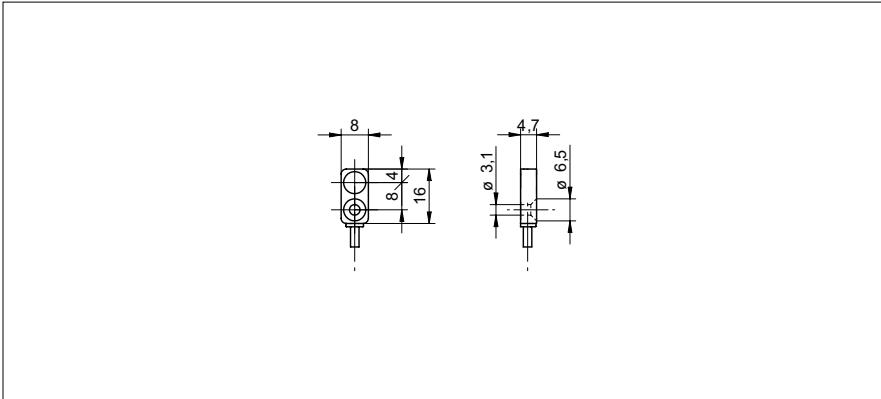


Inductive distance measuring sensors

IWFM 08U9501

dimension drawing



general data

| | |
|-----------------------|---|
| mounting type | quasi-flush |
| measuring distance Sd | 0 ... 2 mm |
| resolution | < 0,001 mm (stat.) < 0,005 mm (dynam.) |
| repeat accuracy | < 0,02 mm |
| linearity error | ± 100 µm |
| temperature drift | ± 5 % (Full Scale) |

electrical data

| | |
|--|----------------|
| response time (factory characteristic) | < 1 ms |
| voltage supply range +Vs | 15 ... 30 VDC |
| current consumption max. (no load) | 10 mA |
| output circuit | voltage output |
| output signal | 0 ... 10 VDC |
| load resistance | > 3000 Ohm |
| short circuit protection | yes |
| reverse polarity protection | yes |

mechanical data

| | |
|------------------|-----------------------------|
| type | rectangular |
| housing material | die-cast zinc nickel plated |
| dimension | 8 mm |
| housing length | 16 mm |
| connection types | cable, 2 m |

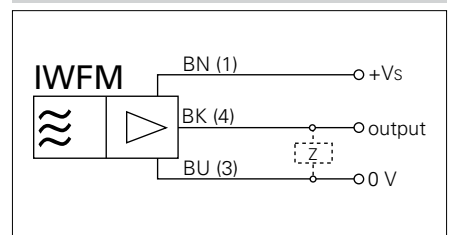
ambient conditions

| | |
|-----------------------|---------------|
| operating temperature | 10 ... +60 °C |
| protection class | IP 67 |

photo



connection diagram



- extra flat housing
- through bore for M3 screw