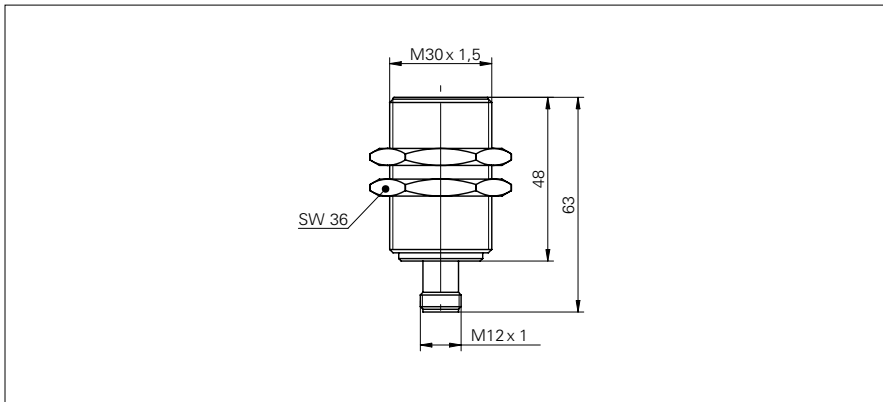


# Inductive distance measuring sensors

## IWRM 30U9704/S14

**dimension drawing**



**general data**

mounting type	quasi-flush
measuring distance Sd	0 ... 16 mm
resolution	< 0,005 mm (stat.) < 0,01 mm (dynam.)
repeat accuracy	< 0,015 mm
linearity error	± 1600 µm
temperature drift	± 5 % (Full Scale)

**electrical data**

response time (factory characteristic)	< 2 ms
voltage supply range +Vs	15 ... 30 VDC
current consumption max. (no load)	20 mA
output circuit	voltage output
output signal	0 ... 10 VDC
load resistance	> 1000 Ohm
short circuit protection	yes
reverse polarity protection	yes

**mechanical data**

type	cylindrical threaded
housing material	brass nickel plated
dimension	30 mm
housing length	63 mm
connection types	connector M12

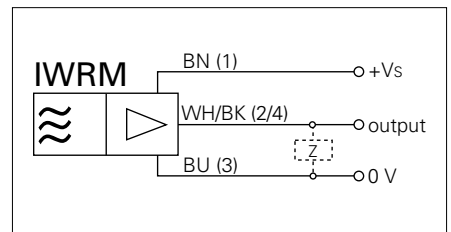
**ambient conditions**

operating temperature	-10 ... +70 °C
protection class	IP 67

**photo**



**connection diagram**



**installation drawing**

