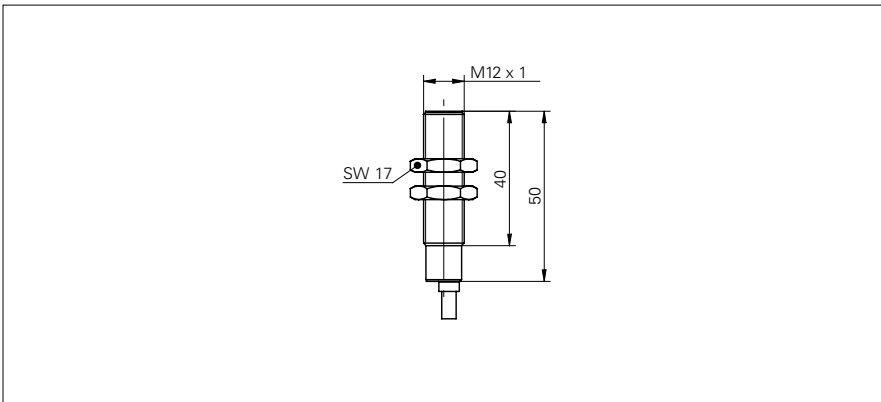


Inductive distance measuring sensors

IWRM 12U9501

dimension drawing



general data

| | |
|-------------------------|------------------|
| mounting type | flush |
| measuring distance Sd | 1 ... 2 mm |
| reference distance | 1,35 ... 1,65 mm |
| measuring speed | < 0,5 mm / ms |
| repeat accuracy | < 0,02 mm |
| linearity error | ± 80 µm |
| temperature coefficient | 1 µm / (K mm) |

electrical data

| | |
|------------------------------------|----------------|
| voltage supply range +Vs | 14 ... 30 VDC |
| current consumption max. (no load) | 20 mA |
| output circuit | voltage output |
| output signal | 1 ... 9 VDC |
| load resistance | > 1000 Ohm |
| residual output ripple | < 0,5 % Vs |
| short circuit protection | yes |
| reverse polarity protection | yes |

mechanical data

| | |
|------------------|----------------------|
| type | cylindrical threaded |
| housing material | brass nickel plated |
| dimension | 12 mm |
| housing length | 50 mm |
| connection types | cable, 2 m |

ambient conditions

| | |
|-----------------------|--------------|
| operating temperature | 0 ... +60 °C |
| protection class | IP 67 |

photo



connection diagram

