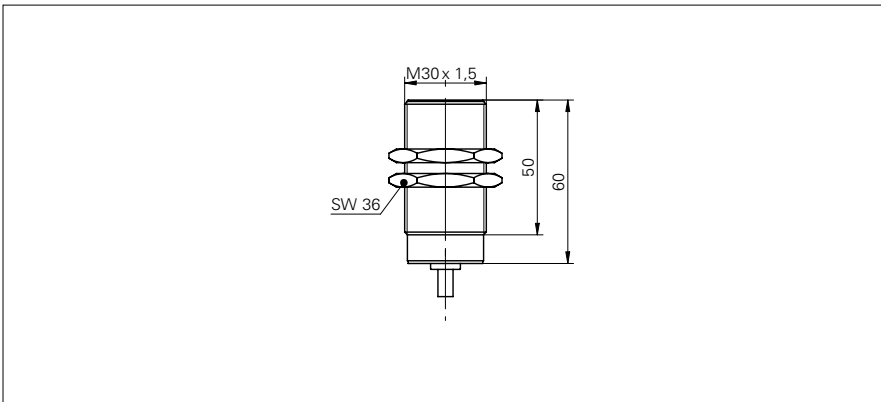


# Inductive distance measuring sensors

**IWRM 30I9501**

**dimension drawing**



**general data**

mounting type	flush
measuring distance Sd	5 ... 10 mm
reference distance	7,1 ... 7,9 mm
measuring speed	< 1,5 mm / ms
repeat accuracy	< 0,02 mm
linearity error	± 200 µm
temperature coefficient	1 µm / (K mm)

**electrical data**

voltage supply range +Vs	15 ... 30 VDC
current consumption max. (no load)	35 mA
output circuit	current output
output signal	4 ... 20 mA
load resistance +Vs min.	< 500 Ohm
load resistance +Vs max.	< 1000 Ohm
residual output ripple	< 0,5 % Vs
short circuit protection	yes
reverse polarity protection	yes

**mechanical data**

type	cylindrical threaded
housing material	brass nickel plated
dimension	30 mm
housing length	60 mm
connection types	cable, 2 m

**ambient conditions**

operating temperature	0 ... +60 °C
protection class	IP 67

**photo**



**connection diagram**

