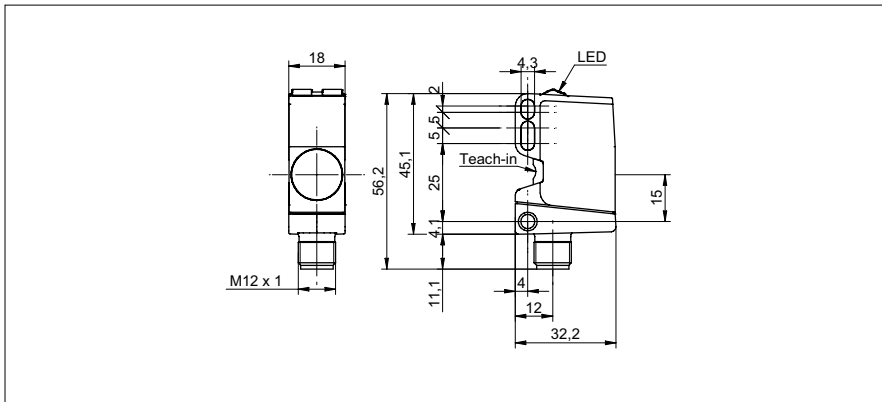


# Ultrasonic distance measuring sensors

## U500.DA0

**sample drawing**



**general data**

scanning range sd	100 ... 1000 mm
scanning range close limit Sdc	100 ... 1000 mm
scanning range far limit Sde	100 ... 1000 mm
repeat accuracy	< 0,5 mm
resolution	< 0,3 mm
response time ton	< 80 ms
release time toff	< 80 ms
temperature drift	< 2 % of distance to target So
power-up drift	compensated after 15 min.
sonic frequency	220 kHz
adjustment	qTeach
alignment aid	light indicator flashing
light indicator	LED yellow
power on indication	LED green
alignment measuring axis	< 2°

**sample picture**



**electrical data**

voltage supply range +Vs	12 ... 30 VDC
current consumption typ.	38 mA
residual ripple	< 10 % Vs
short circuit protection	yes
reverse polarity protection	yes, Vs to GND

**voltage - / current output**

output signal	4 ... 20 mA / 0 ... 10 VDC
---------------	----------------------------

**voltage output**

output signal	0 ... 10 V / 10 ... 0 V
---------------	-------------------------

**current output**

output signal	4 ... 20 mA / 20 ... 4 mA
---------------	---------------------------

**mechanical data**

type	rectangular
housing material	plastic (ASA, PMMA)
width / diameter	18 mm
height / length	45 mm
depth	32 mm

## Ultrasonic distance measuring sensors

**U500.DA0**
**ambient conditions**

storage temperature	-40 ... +75 °C
protection class	IP 67

order reference	output circuit	operating temperature	connection types
<b>U500.DA0-11127346</b>	voltage - / current output	-25 ... +65 °C (+60 °C current mode)	cable PUR 4 x 0,25, 2 m
<b>U500.DA0-11110575</b>	voltage - / current output	-25 ... +65 °C (+60 °C current mode)	connector M12
<b>U500.DA0-11135757</b>	current output	-25 ... +60 °C	cable PUR 4 x 0,25, 2 m
<b>U500.DA0-11135756</b>	current output	-25 ... +60 °C	connector M12
<b>U500.DA0-11135772</b>	voltage output	-25 ... +65 °C	cable PUR 4 x 0,25, 2 m
<b>U500.DA0-11126857</b>	voltage output	-25 ... +65 °C	connector M12