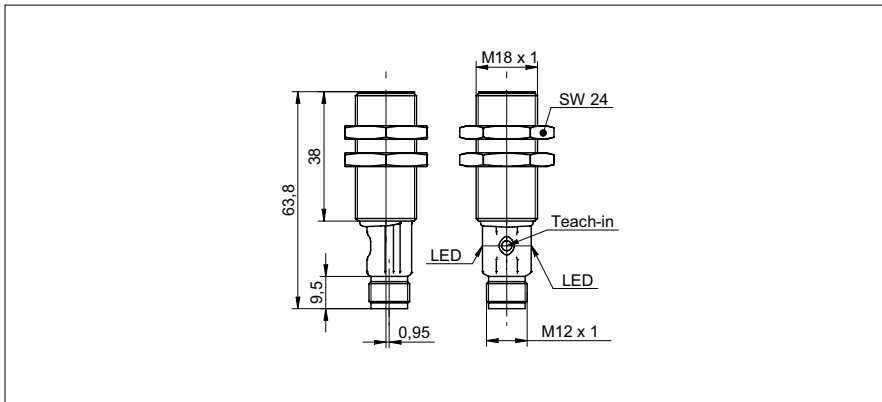


Ultrasonic distance measuring sensors

UR18.DA0

sample drawing



general data

scanning range sd	100 ... 1000 mm
scanning range close limit Sdc	100 ... 1000 mm
scanning range far limit Sde	100 ... 1000 mm
repeat accuracy	< 0,5 mm
resolution	< 0,3 mm
response time ton	< 80 ms
release time toff	< 80 ms
temperature drift	< 2 % of distance to target So
power-up drift	compensated after 10 min.
sonic frequency	220 kHz
adjustment	qTeach
alignment aid	light indicator flashing
light indicator	LED yellow
power on indication	LED green
alignment measuring axis	< 2°

sample picture



electrical data

voltage supply range +Vs	12 ... 30 VDC
current consumption typ.	38 mA
residual ripple	< 10 % Vs
short circuit protection	yes
reverse polarity protection	yes, Vs to GND

voltage output

output signal	0 ... 10 V / 10 ... 0 V
---------------	-------------------------

current output

output signal	4 ... 20 mA / 20 ... 4 mA
---------------	---------------------------

mechanical data

type	cylindrical threaded
housing material	brass nickel plated / TR90
width / diameter	18 mm
height / length	64 mm
connection types	connector M12

Ultrasonic distance measuring sensors

UR18.DA0**ambient conditions**

storage temperature	-40 ... +85 °C
protection class	IP 67

order reference	output circuit	operating temperature
------------------------	-----------------------	------------------------------

UR18.DA0-11135775	current output	-25 ... +60 °C
UR18.DA0-11119994	voltage output	-25 ... +70 °C