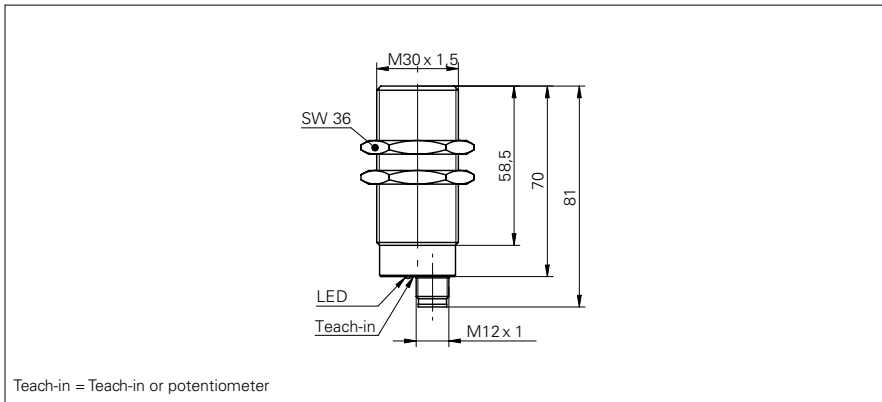


# Ultrasonic distance measuring sensors

## UNAM 30

**sample drawing**



**general data**

scanning range sd	100 ... 1000 mm
scanning range far limit Sde	100 ... 1000 mm
repeat accuracy	< 0,5 mm
resolution	< 0,3 mm
response time ton	< 80 ms
release time toff	< 80 ms
temperature drift	< 2 % of distance to target So
sonic frequency	240 kHz
alignment aid	target indication flashing

**potentiometer**

light indicator	LED green
-----------------	-----------

**Teach-in**

scanning range close limit Sdc	100 ... 1000 mm
light indicator	yellow LED / red LED

**electrical data**

voltage supply range +Vs	15 ... 30 VDC
output current	< 20 mA
residual ripple	< 10 % Vs
short circuit protection	yes
reverse polarity protection	yes

**voltage output**

current consumption max. (no load)	35 mA
------------------------------------	-------

**current output**

current consumption max. (no load)	55 mA
load resistance +Vs max.	< 1100 Ohm
load resistance +Vs min.	< 400 Ohm

**mechanical data**

type	cylindrical threaded
housing material	brass nickel plated
width / diameter	30 mm
height / length	70 mm

**ambient conditions**

operating temperature	-10 ... +60 °C
protection class	IP 67

**sample picture**



## Ultrasonic distance measuring sensors

## UNAM 30

order reference	version	adjustment	output circuit	output signal	connection types
<b>UNAM 30I6103</b>	standard	Teach-in	current output	4 ... 20 mA / 20 ... 4 mA	cable, 2 m
<b>UNAM 30I6103/S14</b>	standard	Teach-in	current output	4 ... 20 mA / 20 ... 4 mA	connector M12
<b>UNAM 30I6803/S14</b>	multiplex version	Teach-in	current output	4 ... 20 mA / 20 ... 4 mA	connector M12
<b>UNAM 30U6103</b>	standard	Teach-in	voltage output	0 ... 10 V / 10 ... 0 V	cable, 2 m
<b>UNAM 30U6103/S14</b>	standard	Teach-in	voltage output	0 ... 10 V / 10 ... 0 V	connector M12
<b>UNAM 30U9103</b>	standard	potentiometer	voltage output	0 ... 10 VDC	cable, 2 m
<b>UNAM 30U9103/S14</b>	standard	potentiometer	voltage output	0 ... 10 VDC	connector M12