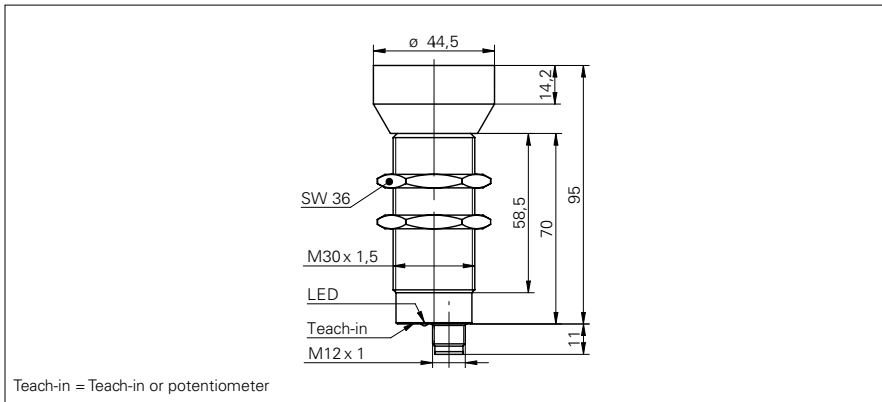


Ultrasonic distance measuring sensors

UNAM 50

sample drawing



general data

scanning range sd	400 ... 2500 mm
scanning range close limit Sdc	400 ... 2500 mm
scanning range far limit Sde	400 ... 2500 mm
repeat accuracy	< 1 mm
resolution	< 0,3 mm
response time ton	< 160 ms
release time toff	< 160 ms
temperature drift	< 2 % of distance to target So
sonic frequency	120 kHz
adjustment	Teach-in
alignment aid	target indication flashing
light indicator	yellow LED / red LED

electrical data

voltage supply range +Vs	15 ... 30 VDC
output current	< 20 mA
residual ripple	< 10 % Vs
short circuit protection	yes
reverse polarity protection	yes

voltage output

current consumption max. (no load)	35 mA
output signal	0 ... 10 V / 10 ... 0 V

current output

current consumption max. (no load)	55 mA
output signal	4 ... 20 mA / 20 ... 4 mA
load resistance +Vs max.	< 1100 Ohm
load resistance +Vs min.	< 400 Ohm

mechanical data

type	cylindrical threaded
housing material	brass nickel plated
width / diameter	30 mm
height / length	95 mm

ambient conditions

operating temperature	-10 ... +60 °C
protection class	IP 67

sample picture



Ultrasonic distance measuring sensors

UNAM 50

order reference	output circuit	connection types
UNAM 50I6121	current output	cable, 2 m
UNAM 50I6121/S14	current output	connector M12
UNAM 50U6121	voltage output	cable, 2 m
UNAM 50U6121/S14	voltage output	connector M12