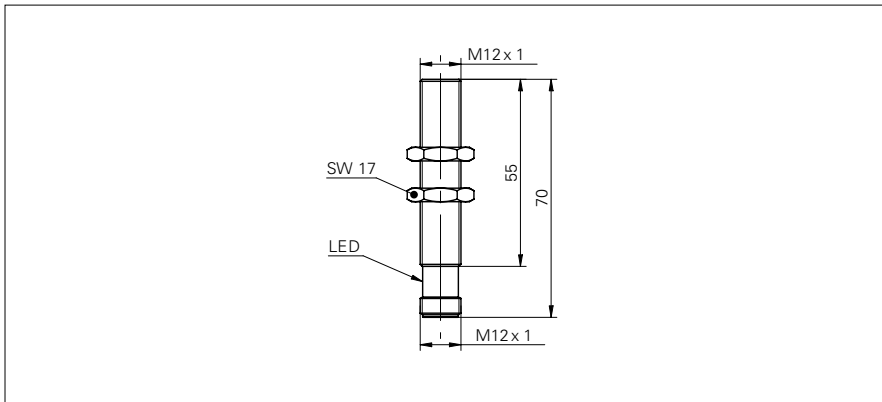


Ultrasonic distance measuring sensors

UNAM 12 (Sde = 200 mm)

sample drawing



general data

scanning range sd	20 ... 200 mm
scanning range close limit Sdc	20 ... 200 mm
scanning range far limit Sde	20 ... 200 mm
repeat accuracy	< 0,5 mm
resolution	< 0,3 mm
response time ton	< 30 ms
release time toff	< 30 ms
temperature drift	< 2 % of distance to target So
sonic frequency	380 kHz
adjustment	external Teach-in
alignment aid	target indication flashing
light indicator	yellow LED / red LED

electrical data

voltage supply range +Vs	15 ... 30 VDC
output current	< 20 mA
residual ripple	< 10 % Vs
short circuit protection	yes
reverse polarity protection	yes

voltage output

current consumption max. (no load)	35 mA
output signal	0 ... 10 V / 10 ... 0 V

current output

current consumption max. (no load)	45 mA
output signal	0 ... 10 mA / 10 ... 0 mA
load resistance +Vs max.	< 1100 Ohm
load resistance +Vs min.	< 400 Ohm

mechanical data

type	cylindrical threaded
housing material	brass nickel plated
width / diameter	12 mm
height / length	70 mm
connection types	connector M12

sample picture



Ultrasonic distance measuring sensors

UNAM 12 (Sde = 200 mm)

ambient conditions

operating temperature	-10 ... +60 °C
protection class	IP 67

order reference**UNAM 12I9914/S14****UNAM 12U9914/S14****output circuit**

current output

voltage output