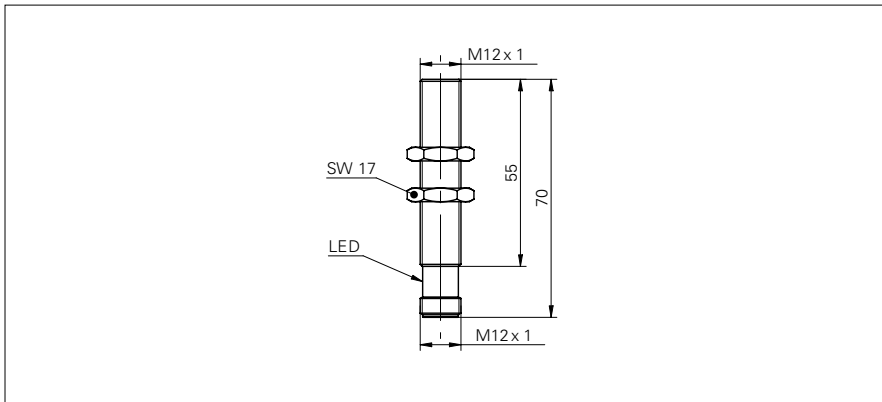


# Ultrasonic distance measuring sensors

## UNAM 12 (Sde = 400 mm)

**sample drawing**



**general data**

scanning range sd	60 ... 400 mm
scanning range close limit Sdc	60 ... 400 mm
scanning range far limit Sde	60 ... 400 mm
repeat accuracy	< 0,5 mm
resolution	< 0,3 mm
response time ton	< 60 ms
release time toff	< 60 ms
temperature drift	< 2 % of distance to target So
sonic frequency	290 kHz
adjustment	external Teach-in
alignment aid	target indication flashing
light indicator	yellow LED / red LED

**electrical data**

voltage supply range +Vs	15 ... 30 VDC
output current	< 20 mA
residual ripple	< 10 % Vs
short circuit protection	yes
reverse polarity protection	yes

**voltage output**

current consumption max. (no load)	35 mA
output signal	0 ... 10 V / 10 ... 0 V

**current output**

current consumption max. (no load)	45 mA
output signal	0 ... 10 mA / 10 ... 0 mA
load resistance +Vs max.	< 1100 Ohm
load resistance +Vs min.	< 400 Ohm

**mechanical data**

type	cylindrical threaded
housing material	brass nickel plated
width / diameter	12 mm
height / length	70 mm
connection types	connector M12

**sample picture**



## Ultrasonic distance measuring sensors

## UNAM 12 (Sde = 400 mm)

**ambient conditions**

operating temperature	-10 ... +60 °C
protection class	IP 67

**order reference****output circuit**

<b>UNAM 12I9912/S14</b>	current output
<b>UNAM 12U9912/S14</b>	voltage output