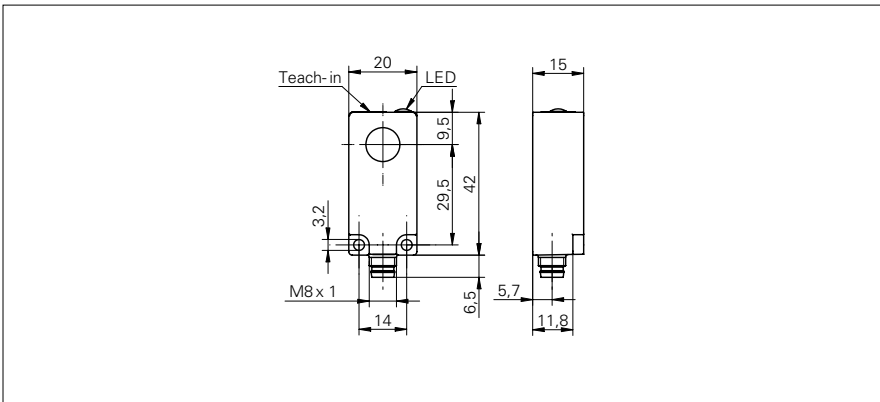


# Ultrasonic distance measuring sensors

## UNDK 20 (Sd = 400 mm)

**sample drawing**



**general data**

|                                |                                |
|--------------------------------|--------------------------------|
| scanning range sd              | 60 ... 400 mm                  |
| scanning range close limit Sdc | 60 ... 400 mm                  |
| scanning range far limit Sde   | 60 ... 400 mm                  |
| repeat accuracy                | < 0,5 mm                       |
| resolution                     | < 0,3 mm                       |
| response time ton              | < 60 ms                        |
| release time toff              | < 60 ms                        |
| temperature drift              | < 2 % of distance to target So |
| sonic frequency                | 290 kHz                        |
| adjustment                     | Teach-in                       |
| alignment aid                  | target indication flashing     |
| light indicator                | yellow LED / red LED           |

**electrical data**

|                             |               |
|-----------------------------|---------------|
| voltage supply range +Vs    | 15 ... 30 VDC |
| output current              | < 20 mA       |
| residual ripple             | < 10 % Vs     |
| short circuit protection    | yes           |
| reverse polarity protection | yes           |

**voltage output**

|                                    |                         |
|------------------------------------|-------------------------|
| current consumption max. (no load) | 35 mA                   |
| output signal                      | 0 ... 10 V / 10 ... 0 V |

**current output**

|                                    |                           |
|------------------------------------|---------------------------|
| current consumption max. (no load) | 55 mA                     |
| output signal                      | 4 ... 20 mA / 20 ... 4 mA |
| load resistance +Vs max.           | < 1100 Ohm                |
| load resistance +Vs min.           | < 400 Ohm                 |

**mechanical data**

|                  |              |
|------------------|--------------|
| type             | rectangular  |
| housing material | polyester    |
| width / diameter | 20 mm        |
| height / length  | 42 mm        |
| depth            | 15 mm        |
| connection types | connector M8 |

**sample picture**



## Ultrasonic distance measuring sensors

## UNDK 20 (Sd = 400 mm)

**ambient conditions**

|                       |                |
|-----------------------|----------------|
| operating temperature | -10 ... +60 °C |
| protection class      | IP 67          |

**order reference****UNDK 20I6912/S35A****UNDK 20U6912/S35A****output circuit**

current output

voltage output