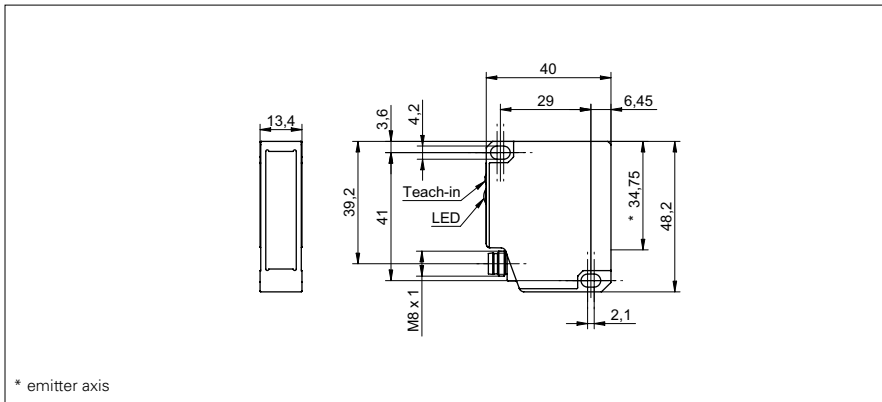


**Distance sensors**

**OADM 13I6575/S35A**

**dimension drawing**



**general data**

measuring distance Sd	50 ... 350 mm
adjustment	Teach-in: button / external
Teach-in range min.	> 5 mm
power on indication	LED green
soiled lens indicator	LED red
resolution	0,01 ... 0,4 mm
linearity error	± 0,05 ... ± 1,2 mm
light source	pulsed red laser diode
wave length	650 nm
laser class	2
beam type	line
beam width	2 mm
beam height	4 ... 9 mm
interference suppression	< 30 ms
temperature drift	< 0,04 % Sde/K

**electrical data**

response time / release time	< 0,9 ms
voltage supply range +Vs	12 ... 28 VDC
current consumption max. (no load)	100 mA
output circuit	analog
output signal	4 ... 20 mA
load resistance	< (+Vs - 6 V) / 0,02 A
short circuit protection	yes
reverse polarity protection	yes, Vs to GND

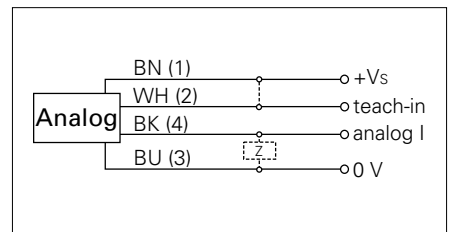
**mechanical data**

width / diameter	13,4 mm
height / length	48,2 mm
depth	40 mm
type	rectangular
housing material	aluminum
front (optics)	glass
connection types	connector M8 4 pin

**photo**



**connection diagram**



**laser warning**

**LASER RADIATION**  
**DO NOT STARE INTO BEAM**  
Wavelength: 620...680nm  
Max. av. Output: < 1mW  
IEC 60825-1, Ed. 2, 2007  
**CLASS 2 LASER PRODUCT**

Complies with 21 CFR 1040.10 and 1040.11 except for deviations pursuant to laser notice No. 50, dated June 24, 2007



**Distance sensors****OADM 13I6575/S35A****ambient conditions**

ambient light immunity	< 30 kLux
operating temperature	0 ... +50 °C
protection class	IP 67