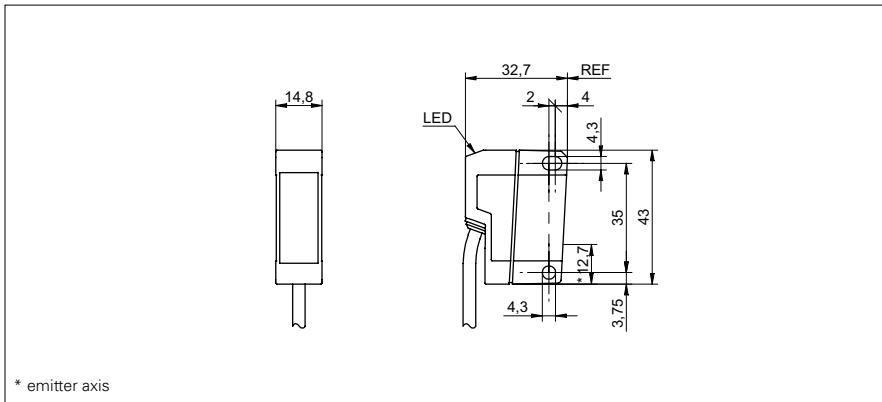


Distance sensors

FADK 14I4470/IO

dimension drawing



* emitter axis

general data

measuring distance Sd	50 ... 400 mm
adjustment	IO-Link
Teach-in range min.	> 20 mm
power on indication	LED green
soiled lens indicator	LED red
resolution	0,1 ... 1 mm
linearity error	± 1,5 ... ± 4 mm
light source	pulsed point source LED
wave length	660 nm
beam type	point
beam diameter	8 mm
temperature drift	< 0,1 % Sde/K

electrical data

response time / release time	< 3 ms
voltage supply range +Vs	12 ... 26 VDC
current consumption max. (no load)	80 mA
output circuit	analog
output signal	4 ... 20 mA
load resistance (analog I)	< (+Vs - 10 V) / 0,02 A
output current	< 100 mA
alarm output	push-pull
short circuit protection	yes
reverse polarity protection	yes, Vs to GND

mechanical data

width / diameter	14,8 mm
height / length	43 mm
depth	31 mm
type	rectangular
housing material	plastic (ASA, MABS)
front (optics)	PMMA
connection types	cable 4 pin, 2 m

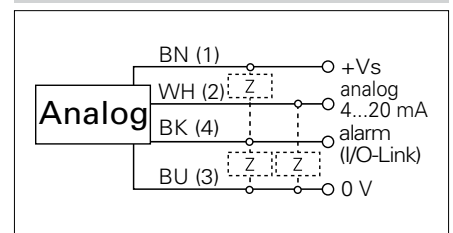
ambient conditions

operating temperature	0 ... +50 °C
protection class	IP 67

photo



connection diagram



IO-Link



- IO-Link: Measuring range limit, average determination, service status, alarm output, switching window