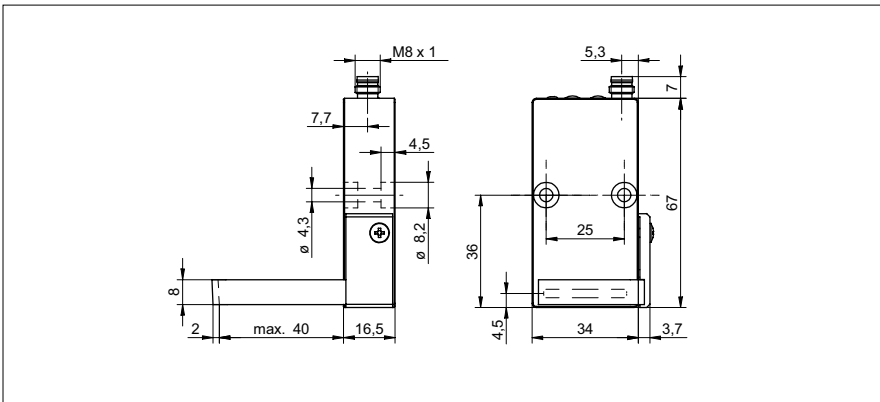


**Edge sensors**

**ZADM 034I240.0001**

**dimension drawing**



**general data**

type	measuring mode: edges, width
measuring field size	24 mm
measuring distance (to object)	0 ... 40 mm
measuring frequency	1800 Hz
resolution	< 0,05 mm
smallest object recognizable	1 mm
linearity error	± 0,4 mm (S = 0...40 mm) ± 0,2 mm (S = 20...40 mm)
repeat accuracy	< 0,05 mm
power on indication	LED green
output indicator	LED yellow
light source	pulsed infrared diode
wave length	880 nm

**electrical data**

response time	< 0,5 ms
voltage supply range +Vs	12 ... 28 VDC
current consumption max. (no load)	120 mA
output circuit	analog
output signal	4 ... 20 mA
reverse polarity protection	yes, Vs to GND
short circuit protection	yes

**mechanical data**

width / diameter	34 mm
type	rectangular, side view
housing material	aluminum
front (optics)	glass
connection types	connector M8 4 pin

**ambient conditions**

operating temperature	0 ... +55 °C
protection class	IP 67

**photo**



**connection diagram**

