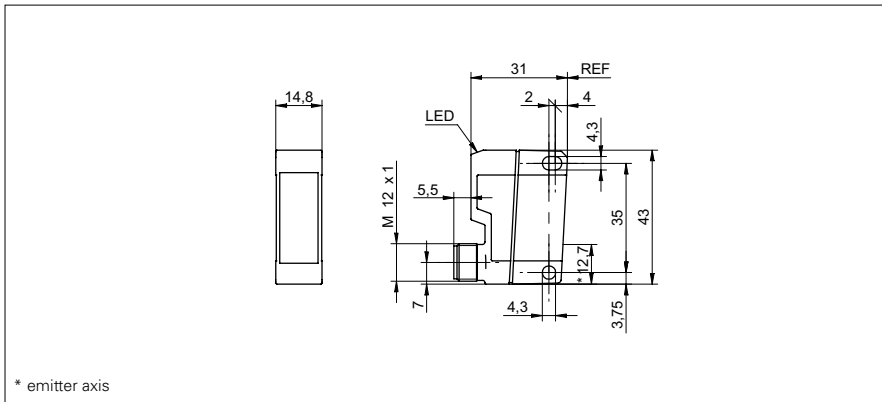


Distance sensors

FADK 14U4470/S14/IO

dimension drawing



* emitter axis

general data

| | |
|-----------------------|-------------------------|
| measuring distance Sd | 50 ... 400 mm |
| adjustment | IO-Link |
| Teach-in range min. | > 20 mm |
| power on indication | LED green |
| soiled lens indicator | LED red |
| resolution | 0,1 ... 1 mm |
| linearity error | ± 1,5 ... ± 4 mm |
| light source | pulsed point source LED |
| wave length | 660 nm |
| beam type | point |
| beam diameter | 8 mm |
| temperature drift | < 0,1 % Sde/K |

electrical data

| | |
|------------------------------------|----------------|
| response time / release time | < 3 ms |
| voltage supply range +Vs | 14 ... 26 VDC |
| current consumption max. (no load) | 80 mA |
| output circuit | analog |
| output signal | 0 ... 10 VDC |
| load resistance (analog U) | > 100 kOhm |
| output current | < 100 mA |
| alarm output | push-pull |
| short circuit protection | yes |
| reverse polarity protection | yes, Vs to GND |

mechanical data

| | |
|------------------|---------------------|
| width / diameter | 14,8 mm |
| height / length | 43 mm |
| depth | 31 mm |
| type | rectangular |
| housing material | plastic (ASA, MABS) |
| front (optics) | PMMA |
| connection types | connector M12 4 pin |

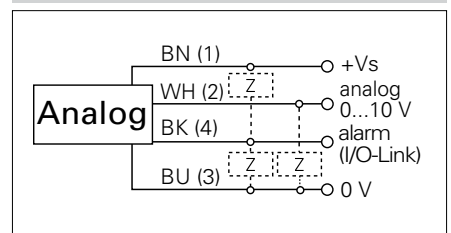
ambient conditions

| | |
|-----------------------|--------------|
| operating temperature | 0 ... +50 °C |
| protection class | IP 67 |

photo



connection diagram



IO-Link



- IO-Link: Measuring range limit, average determination, service status, alarm output, switching window