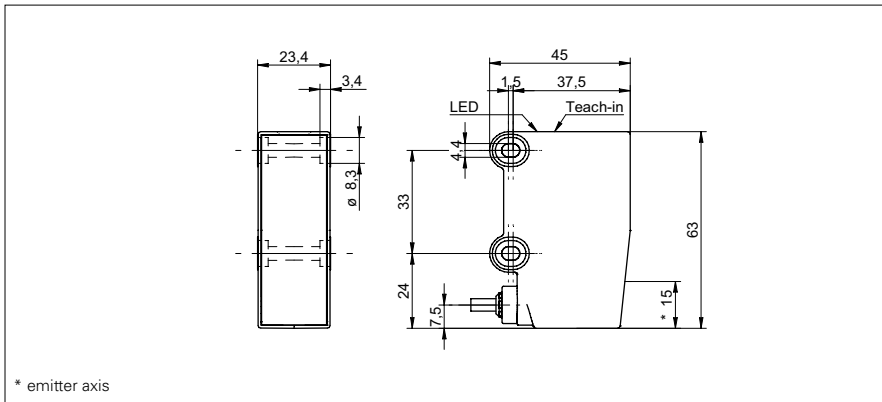


**Distance sensors**

**OADK 25I7480**

**dimension drawing**



**general data**

|                          |                        |
|--------------------------|------------------------|
| measuring distance Sd    | 100 ... 1000 mm        |
| adjustment               | Teach-in               |
| Teach-in range min.      | > 50 mm                |
| power on indication      | LED green              |
| soiled lens indicator    | LED red                |
| resolution               | 0,3 ... 4 mm           |
| linearity error          | ± 1,1 ... ± 15 mm      |
| light source             | pulsed red laser diode |
| wave length              | 656 nm                 |
| laser class              | 1                      |
| beam type                | point                  |
| beam diameter            | 3,7 ... 13 mm          |
| interference suppression | < 32 ms                |

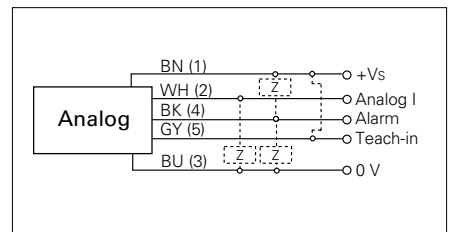
**photo**



**electrical data**

|                                    |                        |
|------------------------------------|------------------------|
| response time / release time       | < 12,8 ms              |
| voltage supply range +Vs           | 12 ... 30 VDC          |
| current consumption max. (no load) | 80 mA                  |
| output circuit                     | analog                 |
| output signal                      | 4 ... 20 mA            |
| load resistance (analog I)         | < (+Vs - 6 V) / 0,02 A |
| output current                     | < 100 mA               |
| alarm output                       | push-pull              |
| short circuit protection           | yes                    |
| reverse polarity protection        | yes, Vs to GND         |

**connection diagram**



**laser warning**

**CLASS 1 LASER PRODUCT**

Complies with 21 CFR 1040.10 and 1040.11 except for deviations pursuant to laser notice No. 50, dated June 24, 2007

**mechanical data**

|                  |                          |
|------------------|--------------------------|
| width / diameter | 23,4 mm                  |
| height / length  | 63 mm                    |
| depth            | 45 mm                    |
| type             | rectangular              |
| housing material | plastic (SAN LURAN 378P) |
| front (optics)   | PMMA                     |
| connection types | cable, 2 m               |



• qTeach

**Distance sensors****OADK 25I7480****ambient conditions**

|                        |              |
|------------------------|--------------|
| ambient light immunity | < 20 kLux    |
| operating temperature  | 0 ... +50 °C |
| protection class       | IP 67        |