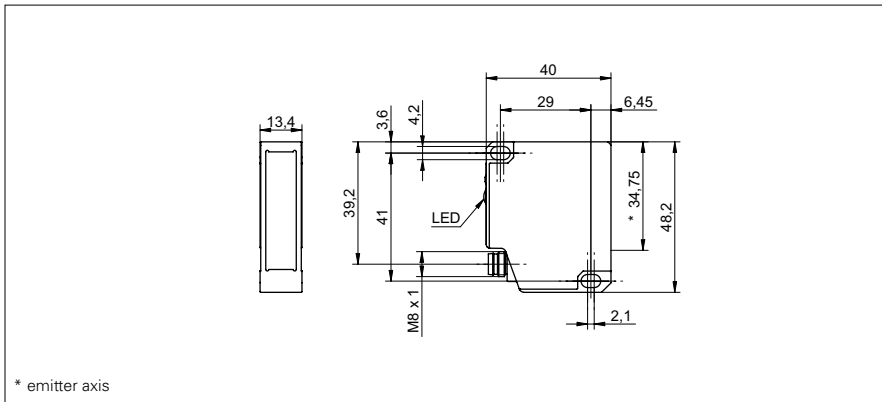


Distance sensors

OADM 13T7580/S35A

dimension drawing



* emitter axis

general data

| | |
|-----------------------|------------------------|
| measuring distance Sd | 50 ... 550 mm |
| adjustment | no |
| power on indication | LED green |
| resolution | 0,09 ... 1,15 mm |
| linearity error | ± 0,3 ... ± 3,5 mm |
| light source | pulsed red laser diode |
| wave length | 650 nm |
| laser class | 2 |
| beam type | line |
| beam width | 2 mm |
| beam height | 4 ... 13 mm |
| alarm indicator | LED red |
| temperature drift | < 0,07 % Sde/K |

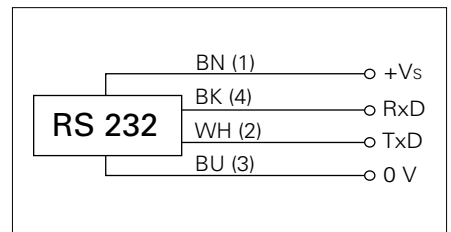
photo



electrical data

| | |
|------------------------------------|-------------------|
| response time / release time | < 2 ms |
| voltage supply range +Vs | 12 ... 28 VDC |
| current consumption max. (no load) | 80 mA |
| output circuit | RS 232 |
| baud rate | 38400, adjustable |
| short circuit protection | yes |
| reverse polarity protection | yes, Vs to GND |

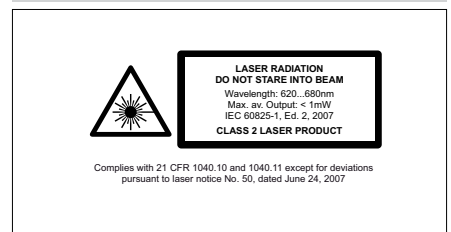
connection diagram



mechanical data

| | |
|------------------|--------------------|
| width / diameter | 13,4 mm |
| height / length | 48,2 mm |
| depth | 40 mm |
| type | rectangular |
| housing material | aluminum |
| front (optics) | glass |
| connection types | connector M8 4 pin |

laser warning



- For objects with a reflectivity < 10 % the response time/release time is increased automatically up to max. 5 ms.

Distance sensors**OADM 13T7580/S35A****ambient conditions**

| | |
|------------------------|--------------|
| ambient light immunity | < 100 kLux |
| operating temperature | 0 ... +50 °C |
| protection class | IP 67 |