

# Time and hours meters electronic

2 presets, PNP, NPN logic

Display LCD, 6-digits, programmable

## BE134



BE134 - two presets

### Features

- Hour counter with 2 presets
- Display 6-digits
- Totalizer for hour
- Counting range 9999.99 s / 999.95.9 min / 9999.59 min / 9999.59 h
- With reset
- Connection: Count impulse, NPN, PNP logic
- Batch counter with preset

### Technical data - electrical ratings

Voltage supply	24/48 VAC $\pm 10\%$ (50/60 Hz) 85...265 VAC (50/60 Hz) 12...30 VDC
Power consumption	5 VA, 5 W
Sensor supply	24/48 VAC: 10-26 VDC/60 mA 85...265 VAC: 24 VDC $\pm 20\%$ /100 mA 12...30 VDC: 9-28 VDC/100 mA
Display	LCD, 7-segment display, 2-lines, backlit
Number of digits	6-digits Totalizer in 2 steps (8-digits)
Digit height	7 mm (position value) 4 mm (preset)
Function	Hour counter Main counter with 2 presets
Count mode	Adding or subtracting
Counting frequency	Batch counter: approx. 20 Hz
Presets	1 preset, 2 presets
Operating mode	Time meter and hour counter
Data memory	>10 years in EEPROM
Reset	Button, electric or automatic
Keylock	Yes, electric (keylock)
Outputs electronic	Optocoupler
Outputs relay	Normally open or closed, programmable
Output holding time	0.01...99.99 s
Interface	RS485
Standard DIN EN 61010-1	Protection class II Overvoltage category II Pollution degree 2
Emitted interference	DIN EN 61000-6-4
Interference immunity	DIN EN 61000-6-2
Programmable parameters	Measuring units, sensor logic Control inputs

### Technical data - electrical ratings

Approval	UL approval / E63076
----------	----------------------

### Technical data - mechanical design

Ambient temperature	0...+45 °C
Storage temperature	-20...+70 °C
Relative humidity	80 % non-condensing
Connection	Plug-in screw terminal connector
Core cross-section	1.5 mm <sup>2</sup>
Protection DIN EN 60529	IP 65 (face with seal)
Operation / keypad	Membrane with softkeys
Housing type	Built-in housing
Dimensions W x H x L	48 x 48 x 100 mm
Mounting depth	100 mm
Mounting	Clip frame for built-in housing
Cutout dimensions	45 x 45 mm (+0.6)
Weight approx.	150 g (12-30 VDC/85-265 VAC), 250 g (24/48 VAC)
Materials	Housing: Makrolon 6485 (PC) Keypad: Polyester

# Time and hours meters electronic

2 presets, PNP, NPN logic  
Display LCD, 6-digits, programmable

BE134

## Part number

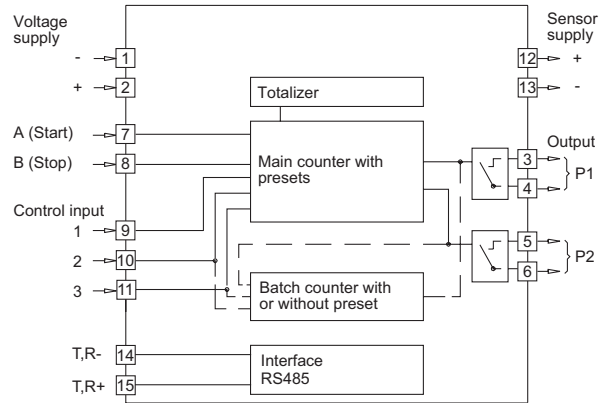
BE134. 

--	--	--	--	--	--	--	--	--	--	--	--

 AX01

- Voltage supply
- 1 24 / 48 VAC
- 2 85...265 VAC
- 3 12...30 VDC
  
- Outputs
- 1 Relay outputs
- 2 Optocoupler outputs
  
- Interface
- 0 Without interface
- 1 RS485

## Block circuit diagram



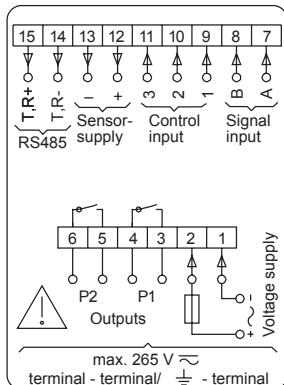
## Accessories

### Adaptor plates

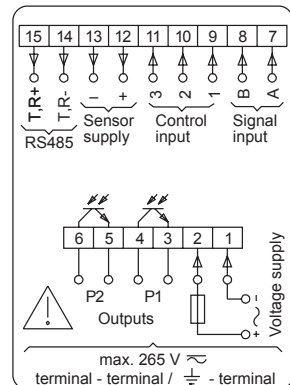
- |           |   |
|-----------|---|
| Z 118.033 | Adaptor plate for screw mount, face 60 x 75 mm    |
| Z 118.034 | Adaptor plate for clip mount, face 53.2 x 53.2 mm |
| Z 118.035 | Adaptor plate for clip mount, face 60 x 75 mm     |

## Connection diagram

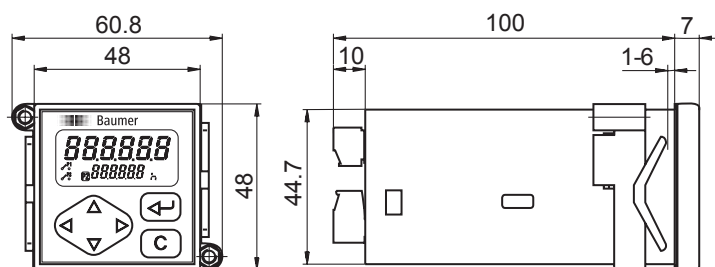
### Relay outputs



### Electronic outputs



## Dimensions



## Trigger level

Comparator inputs	Input circuit
Inputs	PNP- / NPN-logic
Input level	Programmable
Input level Low	0...2 VDC
Input level High	3...40 VDC
Input resistance	3 kΩ

Relay outputs	Output circuit
Switching voltage max.	250 VAC / 110 VDC
Switching current max.	1 A
Switching capacity max.	150 VA / 30 W
Relay responding time	5 ms

Electronical outputs	Output circuit
Switching voltage max.	40 V
Switching current max.	25 mA